

Feedthrough

Multipin Connector

Coaxial

Thermocouple

Isolator

Viewport

Pressure

Accessories

Technical Reference

Specifications

Materials

- Bolt: 304 Stainless steel
- O-Ring: Viton®
- Pin: See table
- Insulation: Alumina ceramic
- Magnetic Materials: See table

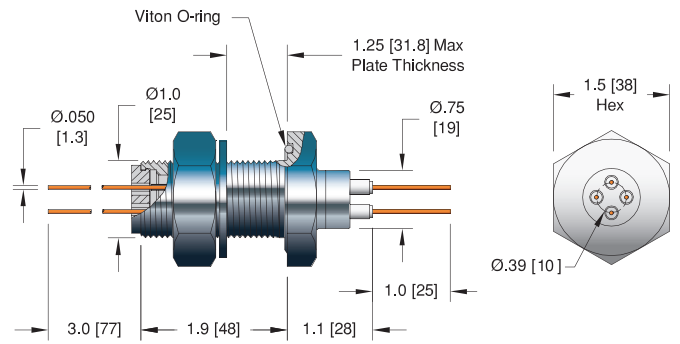
Voltage Rating See table

Current Rating See table

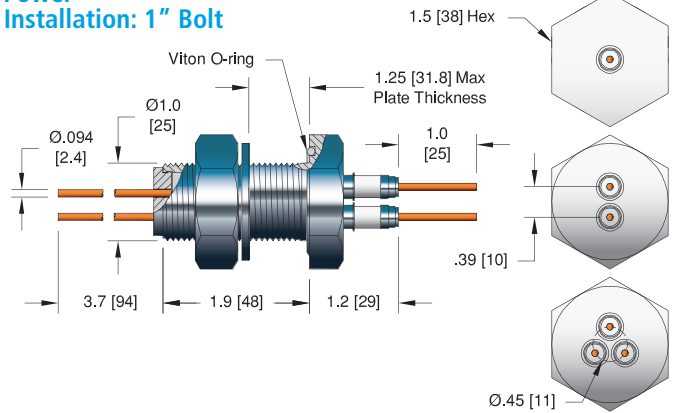
Temperature Range -25°C to 205°C

Pressure @ 20°C 200 PSIG (14 Bar) unless otherwise noted

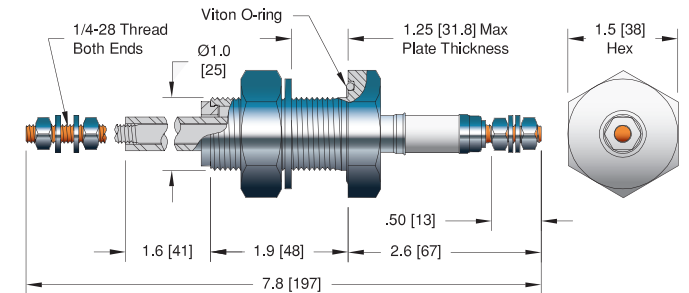
**Instrumentation/Power
Installation: 1" Bolt**



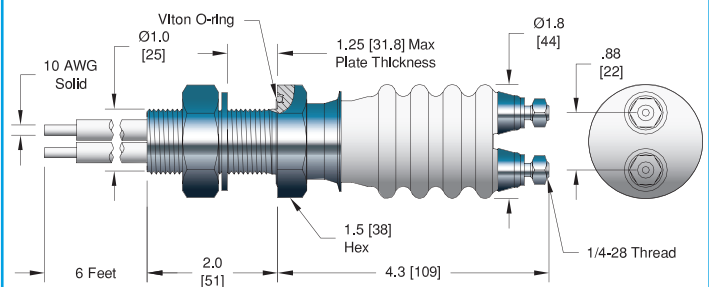
**Power
Installation: 1" Bolt**



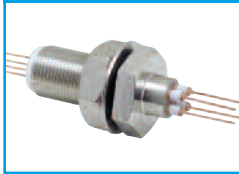
**High Power
Installation: 1" Bolt**



**High Voltage
Installation: 1" Bolt**

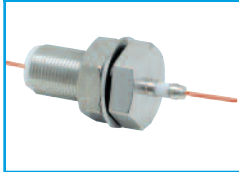


Instrumentation/Power
1" Bolt



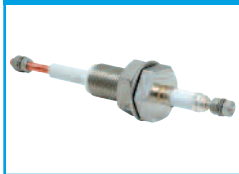
NO. PINS	VOLTAGE DC	CONDUCTOR AMPS	MATERIAL	MAGNETIC MATERIALS	PART NUMBER
4	2 kV	8.2	Nickel	Yes	15710-02-A
4	2 kV	27	Copper	No	15710-04-A

Power
1" Bolt



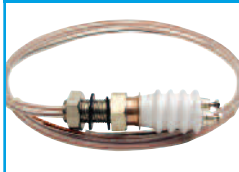
1	5 kV	55	Copper	No	15702-04-A
2	2 kV	55	Copper	No	15703-04-A
3	2 kV	55	Copper	No	15704-04-A

High Power
1" Bolt



1	12 kV	185	Copper	Yes	15700-04-A
---	-------	-----	--------	-----	------------

High Voltage
1" Bolt



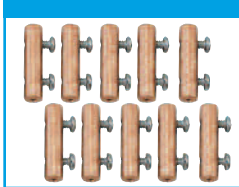
NO. PINS	VOLTAGE DC	CONDUCTOR AMPS	MATERIAL	PRESSURE @ 20°C PSIG	BAR	MAGNETIC MATERIALS	PART NUMBER
2	15 kV	185	Copper	125	8.6	Yes	9388-01-A

Teflon Shield



DESCRIPTION	PART NUMBER
PTFE Teflon Shield for use with part # 15700-04-A.	17413-01-A

Contacts



TYPE	MATERIAL	DESCRIPTION	PART NUMBER
0.050 Crimp Contacts	Beryllium Copper	Accepts wire up to 0.062 [1.6]	11911-02-X
0.050 Set Screw Type Contacts	Beryllium Copper	Accepts wire up to 0.050 [1.3]	7429-02-A
0.050 Barrel Type Contacts	Beryllium Copper	Accepts wire up to 0.050 [1.3]	7332-02-A [†]
0.094 Set Screw Type Contacts	Beryllium Copper	Accepts wire up to 0.050 [1.3]	7429-01-A
0.094 Barrel Type Contacts	Beryllium Copper	Accepts wire up to 0.094 [2.4]	7332-04-A
Crimp Tool		For 0.025" - 0.075" Crimp Diameters	2840-05

*Contacts priced and sold in packages of 10. [†]Shown in photo. See the Accessories section for more information on all accessories.

Feedthrough

Multipin Connector

Coaxial

Thermocouple

Isolator

Viewport

Pressure

Accessories

Technical Reference