

Feedthrough

Multipin Connector

Coaxial

Thermocouple

Isolator

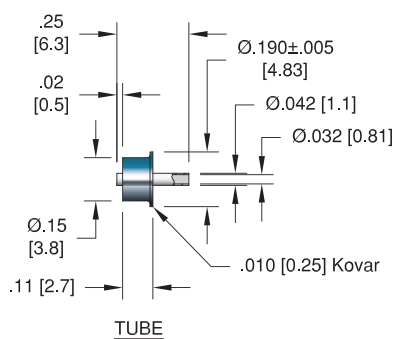
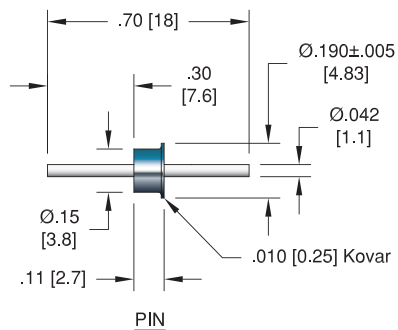
Viewport

Pressure

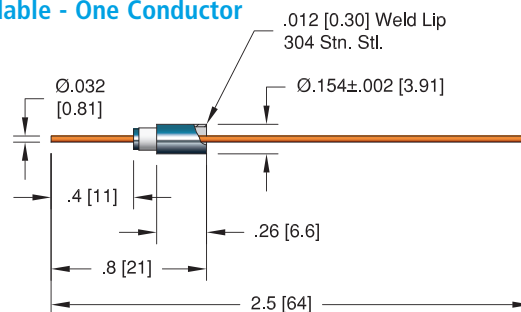
Accessories

Technical Reference

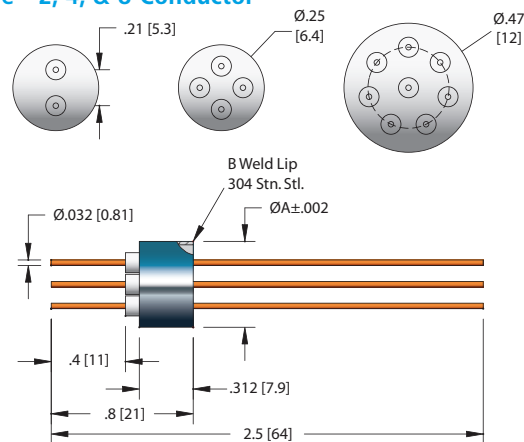
Weld/Braze - Superthru



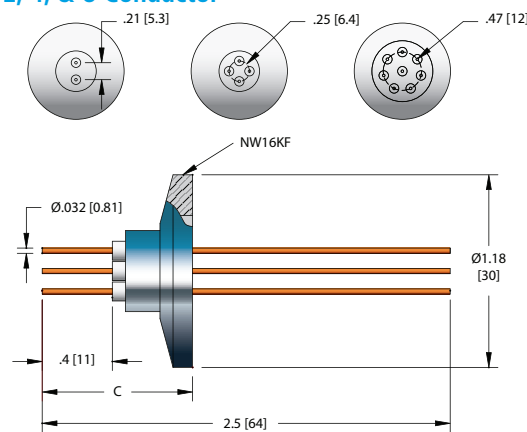
Weldable - One Conductor



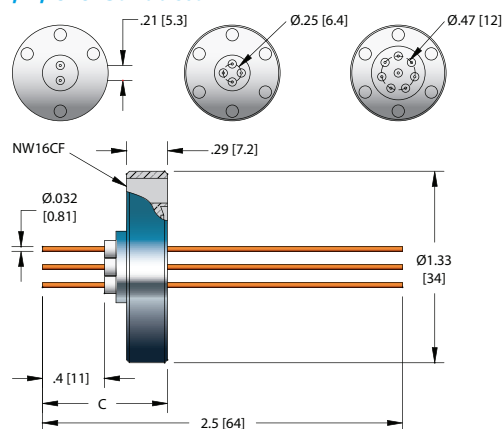
Weldable - 2, 4, & 8 Conductor



ISO KF - 2, 4, & 8 Conductor



ConFlat - 2, 4, & 8 Conductor



Specifications — Superthru

Materials

- Housing: Kovar
- Pin/Tube: Pin-Molybdenum, Tube-Kovar
- Insulation: Alumina ceramic
- Magnetic Materials: Yes

Voltage Rating 500 V DC

Current Rating See table

Temperature Range -80°C to 450°C

Pressure @ 20°C 2500 PSIG (172 Bar), ISO KF 0 PSIG

Specifications — 1, 2, 4, & 8 Conductor

Materials

- Housing: 304 Stainless steel
- Pin: See table
- Insulation: Alumina ceramic
- Magnetic Materials: See table

Voltage Rating See table

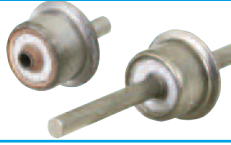
Current Rating See table

Temperature Range -269°C to 450°C, ISO KF -25°C to 205°C

Pressure @ 20°C ISO KF 0 PSIG

- Single pin: 3500 PSIG (241 Bar)
- 2 & 4 pin: 1400 PSIG (96 Bar)
- 8 pin: 500 PSIG (34 Bar)

Weld or Braze Superthru



INSTALLATION	VOLTAGE DC	CONDUCTOR AMPS*	MATERIAL	PART NUMBER
Weld or Braze	500	-	Kovar Tube	9809-01-W
Weld or Braze	500	11.5	Molybdenum	9809-02-W

*Current carrying capacity of the tubular feedthroughs varies based on the coolant used and the flow rate.

Weldable Single Pin



NO. PINS	INSTALLATION	VOLTAGE DC	CONDUCTOR AMPS	MATERIAL	A	DIMENSIONS B	C	MAGNETIC MATERIALS	PART NUMBER
1	Weld	1 kV	1.1	304 Stn. Stl.	-	-	-	No	9297-03-W
1	Weld	1 kV	5	Nickel	-	-	-	Yes	9297-01-W
1	Weld	1 kV	8.5	Molybdenum	-	-	-	No	9297-06-W
1	Weld	1 kV	16	Copper	-	-	-	No	9297-08-W
2	Weld	2 kV	1.1	304 Stn. Stl.	0.497 [12.62]	.020 [0.51]	-	No	9298-07-W
2	Weld	2 kV	5	Nickel	0.497 [12.62]	.020 [0.51]	-	Yes	9298-01-W
2	Weld	2 kV	8.5	Molybdenum	0.497 [12.62]	.020 [0.51]	-	No	9298-05-W
2	Weld	2 kV	16	Copper	0.497 [12.62]	.020 [0.51]	-	No	9298-06-W
4	Weld	2 kV	1.1	304 Stn. Stl.	0.497 [12.62]	.020 [0.51]	-	No	9299-05-W
4	Weld	2 kV	5	Nickel	0.497 [12.62]	.020 [0.51]	-	Yes	9299-01-W
4	Weld	2 kV	8.5	Molybdenum	0.497 [12.62]	.020 [0.51]	-	No	9299-04-W
4	Weld	2 kV	16	Copper	0.497 [12.62]	.020 [0.51]	-	No	9299-06-W
8	Weld	1.5 kV	1.1	304 Stn. Stl.	0.747 [18.97]	.035 [0.89]	-	No	9294-03-W
8	Weld	1.5 kV	5	Nickel	0.747 [18.97]	.035 [0.89]	-	Yes	9294-01-W
8	Weld	1.5 kV	8.5	Molybdenum	0.747 [18.97]	.035 [0.89]	-	No	9294-04-W
8	Weld	1.5 kV	16	Copper	0.747 [18.97]	.035 [0.89]	-	No	9294-08-W

ISO FLANGE

2	NW16KF	2 kV	1.1	304 Stn. Stl.	-	-	.9 [23]	No	17006-01-KF
2	NW16KF	2 kV	5	Nickel	-	-	.9 [23]	Yes	17006-02-KF
2	NW16KF	2 kV	8.5	Molybdenum	-	-	.9 [23]	No	17006-03-KF
2	NW16KF	2 kV	16	Copper	-	-	.9 [23]	No	17006-04-KF
4	NW16KF	2 kV	1.1	304 Stn. Stl.	-	-	.9 [23]	No	17007-01-KF
4	NW16KF	2 kV	5	Nickel	-	-	.9 [23]	Yes	17007-02-KF
4	NW16KF	2 kV	8.5	Molybdenum	-	-	.9 [23]	No	17007-03-KF
4	NW16KF	2 kV	16	Copper	-	-	.9 [23]	No	17007-04-KF
8	NW16KF	1.5 kV	1.1	304 Stn. Stl.	-	-	1.3 [34]	No	17008-01-KF
8	NW16KF	1.5 kV	5	Nickel	-	-	1.3 [34]	Yes	17008-02-KF
8	NW16KF	1.5 kV	8.5	Molybdenum	-	-	1.3 [34]	No	17008-03-KF
8	NW16KF	1.5 kV	16	Copper	-	-	1.3 [34]	No	17008-04-KF

CONFLAT FLANGE

2	1 1/3" (NW16CF)	2 kV	1.1	304 Stn. Stl.	-	-	.9 [23]	No	17046-01-CF
2	1 1/3" (NW16CF)	2 kV	5	Nickel	-	-	.9 [23]	Yes	17046-02-CF
2	1 1/3" (NW16CF)	2 kV	8.5	Molybdenum	-	-	.9 [23]	No	17046-03-CF
2	1 1/3" (NW16CF)	2 kV	16	Copper	-	-	.9 [23]	No	17046-04-CF
4	1 1/3" (NW16CF)	2 kV	1.1	304 Stn. Stl.	-	-	.9 [23]	No	17048-01-CF
4	1 1/3" (NW16CF)	2 kV	5	Nickel	-	-	.9 [23]	Yes	17048-02-CF
4	1 1/3" (NW16CF)	2 kV	8.5	Molybdenum	-	-	.9 [23]	No	17048-03-CF
4	1 1/3" (NW16CF)	2 kV	16	Copper	-	-	.9 [23]	No	17048-04-CF
8	1 1/3" (NW16CF)	1.5 kV	1.1	304 Stn. Stl.	-	-	1.3 [34]	No	9340-06-CF
8	1 1/3" (NW16CF)	1.5 kV	5	Nickel	-	-	1.3 [34]	Yes	9340-01-CF
8	1 1/3" (NW16CF)	1.5 kV	8.5	Molybdenum	-	-	1.3 [34]	No	9340-04-CF
8	1 1/3" (NW16CF)	1.5 kV	16	Copper	-	-	1.3 [34]	No	9340-05-CF

Contacts



TYPE	MATERIAL	DESCRIPTION	PART NUMBER
0.032 Crimp Contacts	Beryllium Copper	Accepts wire up to 0.032 [0.81]	11288-02-X†
0.042 Crimp Contacts	Stainless Steel - Gold Plated	Accepts wire up to 0.030 [0.76]	14461-04-A
Crimp Tool		For 0.025" - 0.075" Crimp Diameters	2840-05

*Contacts priced and sold in packages of 10. **Contacts priced and sold in packages of 5. †Shown in photo. See the Accessories section for more information on all accessories.

Feedthrough

Multipin Connector

Coaxial

Thermocouple

Isolator

Viewport

Pressure

Accessories

Technical Reference