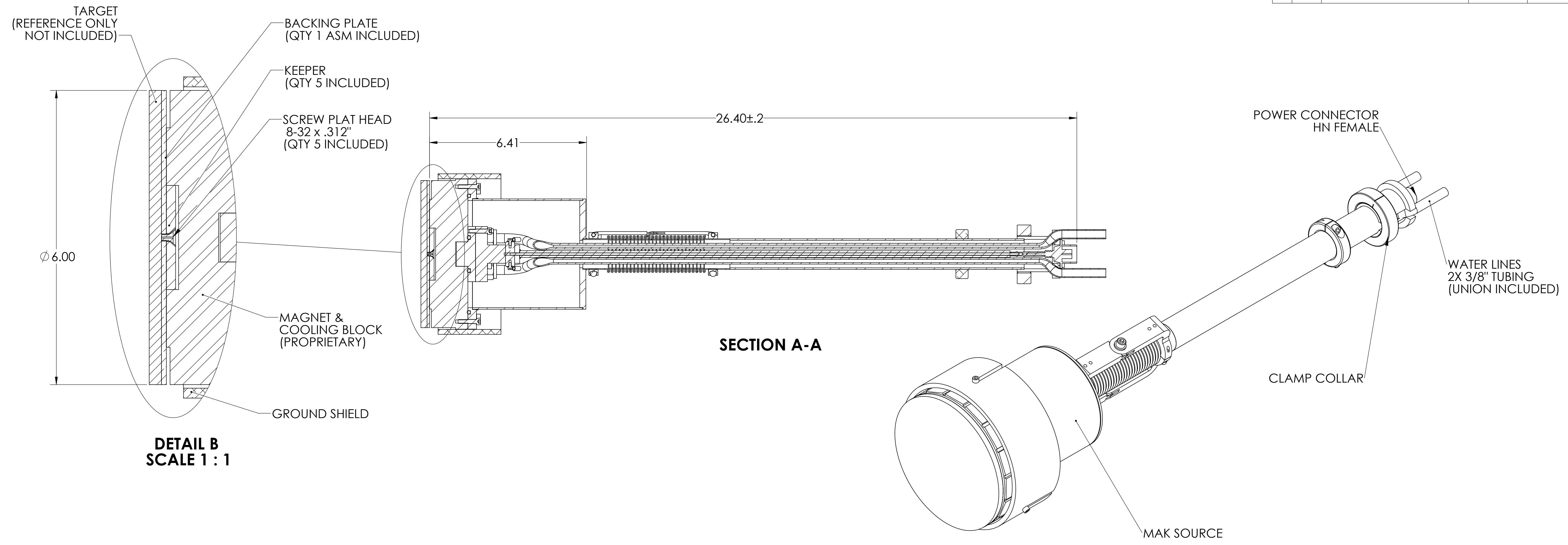
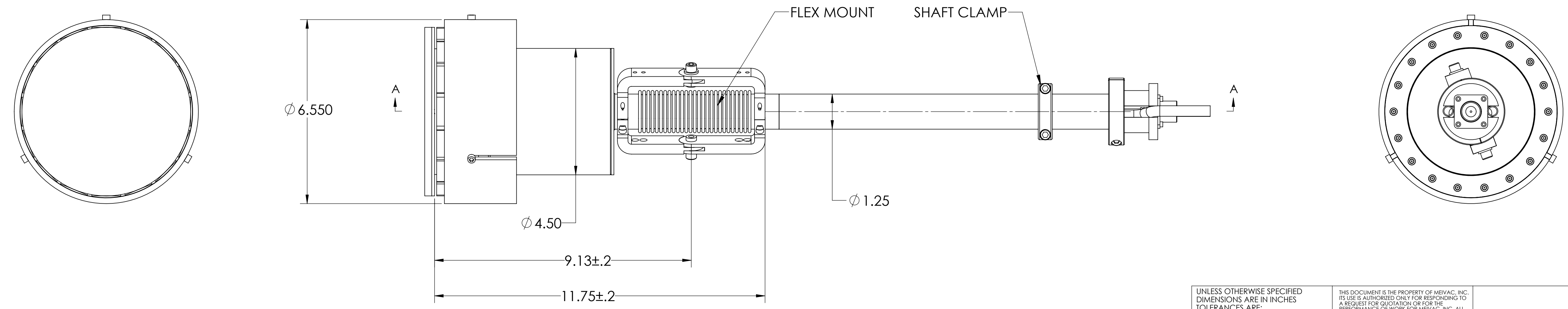


DWG. NO. L600A01FM_EXT		SHT 1/1	REV B	
REVISIONS				
ZONE	REV.	DESCRIPTION	DATE	APPROVED
	B	DRAWING RELEASE	03-25-14	



**DETAIL B
SCALE 1 : 1**

SECTION A-A



NOTES (UNLESS OTHERWISE SPECIFIED):
1. 3D MODEL AVAILABLE.

UNLESS OTHERWISE SPECIFIED DIMENSIONS ARE IN INCHES TOLERANCES ARE: DECIMALS .X ± .1 .XX ± .01 .XXX ± .005		ANGLES ± 1/2°		THIS DOCUMENT IS THE PROPERTY OF MEIVAC, INC. ITS USE IS AUTHORIZED ONLY FOR RESPONDING TO A REQUEST FOR QUOTATION OR FOR THE PERFORMANCE OF WORK FOR MEIVAC, INC. ALL QUESTIONS MUST BE REFERRED TO MEIVAC ENGINEERING DEPARTMENT.	
MATERIAL: SEE BOM		FINISH: ✓		APPROVALS	DATE
DO NOT SCALE DRAWING		ISSUED		09-14-10	
TITLE: 6" MAK SOURCE FLEX MOUNT ASSEMBLY		SIZE D	CAGE CODE	DWG. NO. L600A01FM_EXT	REV B
SCALE: NONE		SHEET 1 OF 1		AUTOCAD FILE NAME = L600A01FM.DWG	