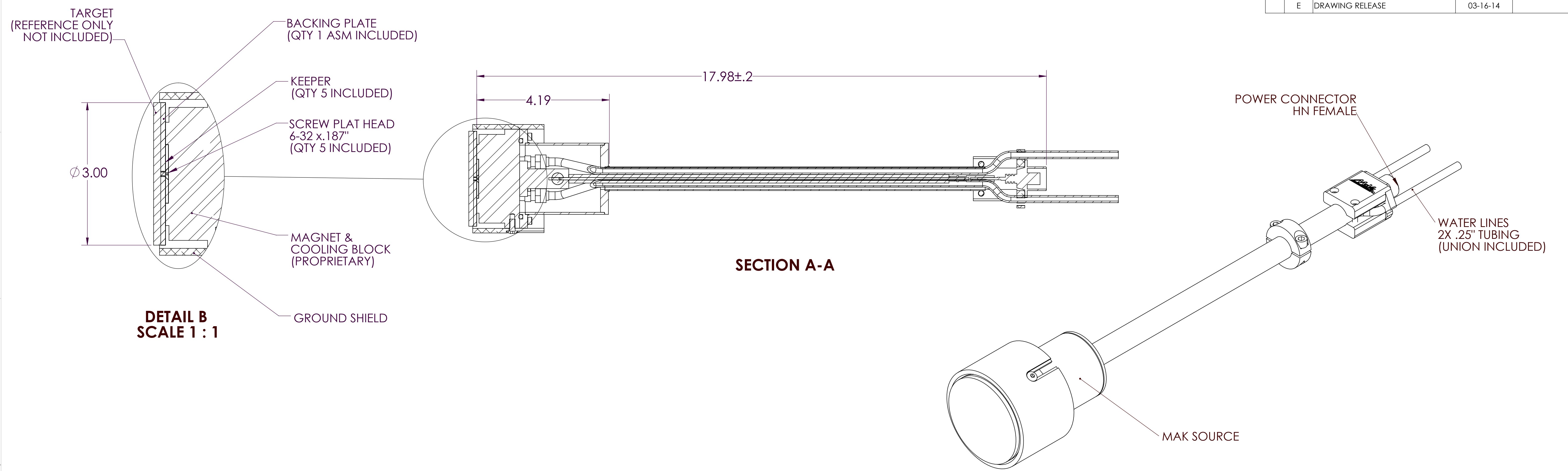
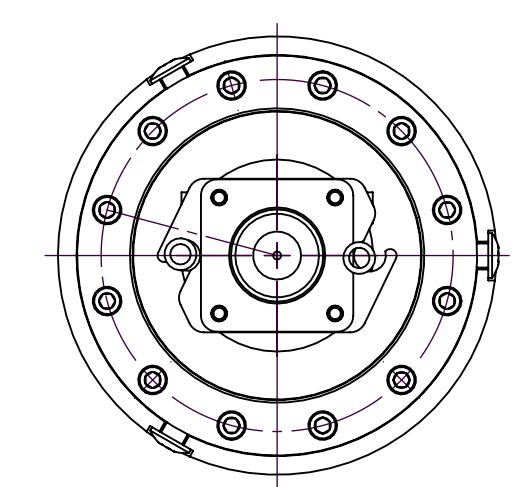
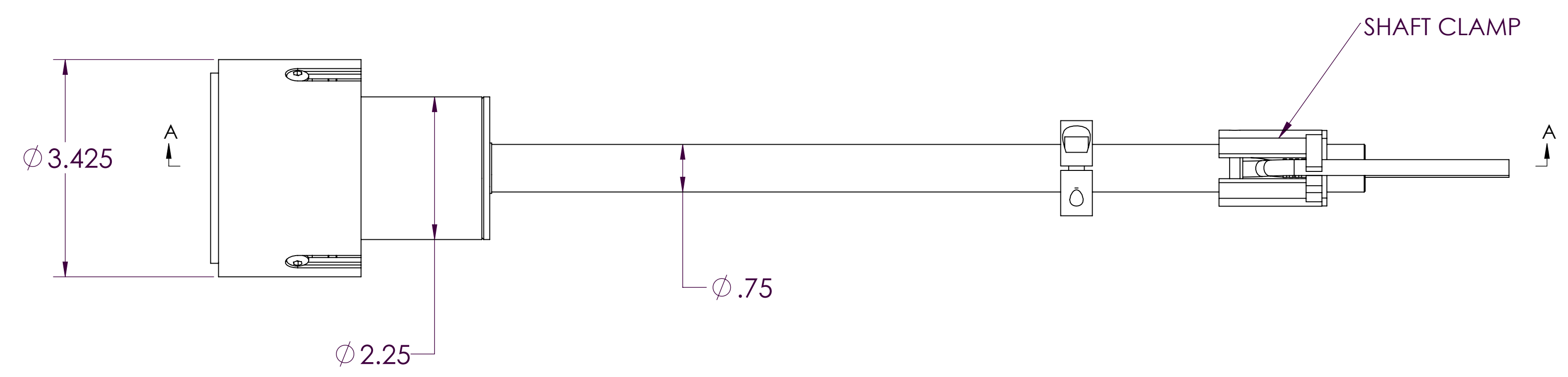
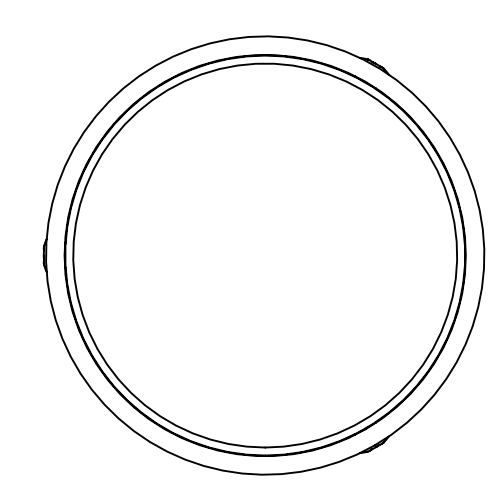


DWG NO. L300A01_EXT		SHT 1/1	REV E		
REVISIONS					
ZONE	REV.	DESCRIPTION	DATE	APPROVED	
	E	DRAWING RELEASE	03-16-14		




**DETAIL B  
SCALE 1 : 1**

**SECTION A-A**



NOTES (UNLESS OTHERWISE SPECIFIED):  
1. 3D MODEL AVAILABLE.

UNLESS OTHERWISE SPECIFIED DIMENSIONS ARE IN INCHES TOLERANCES ARE: DECIMALS .X ± .1 .XX ± .01 .XXX ± .005 MATERIAL: SEE BOM FINISH: DO NOT SCALE DRAWING		ANGLES ± 1/2°	THIS DOCUMENT IS THE PROPERTY OF MEIVAC, INC. ITS USE IS AUTHORIZED ONLY FOR RESPONDING TO A REQUEST FOR QUOTATION OR FOR THE PERFORMANCE OF WORK FOR MEIVAC, INC. ALL QUESTIONS MUST BE REFERRED TO MEIVAC ENGINEERING DEPARTMENT.		 <b>3" MAK VERTICAL MOUNT ASSEMBLY</b>	
APPROVALS		DATE	DRAWN DICK M		06-02-06	
CHECKED		ISSUED		SIZE D	CAGE CODE	DWG. NO. L300A01_EXT
				SCALE: NONE	REV E	
						SHEET 1 OF 1