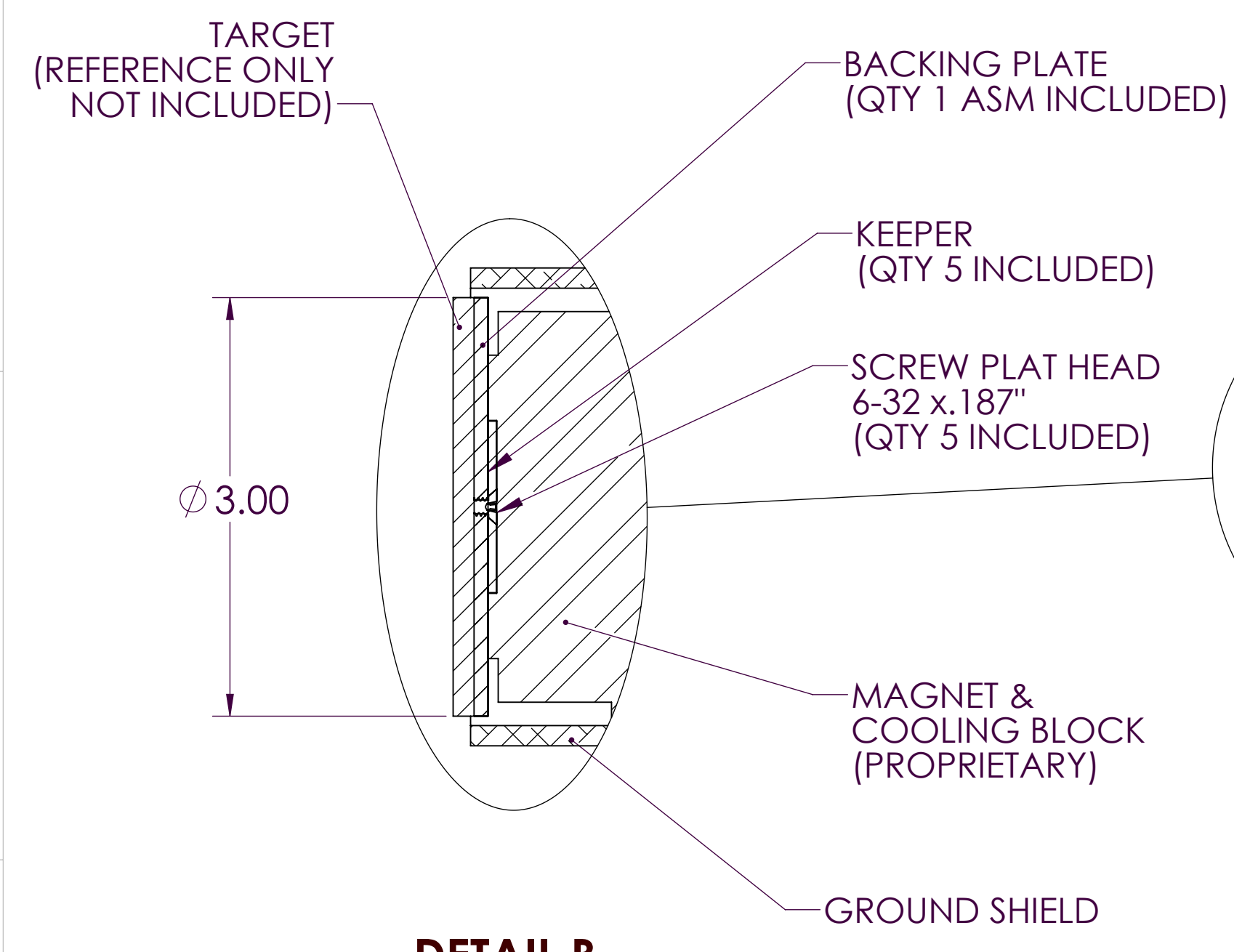
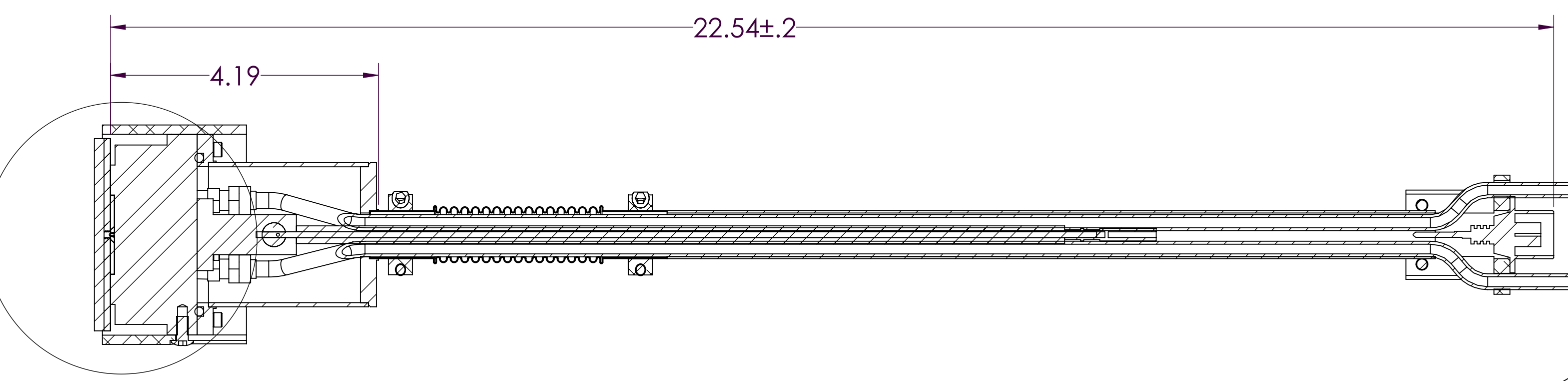


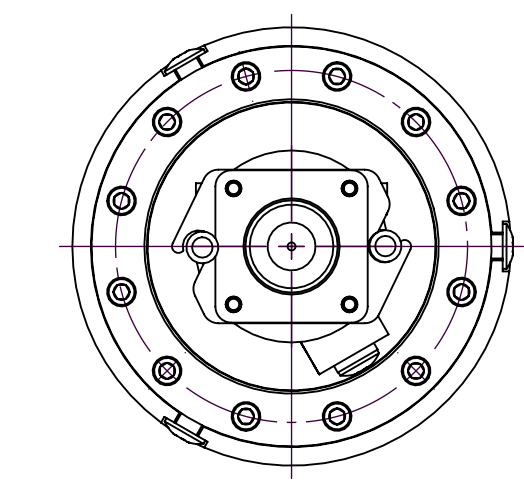
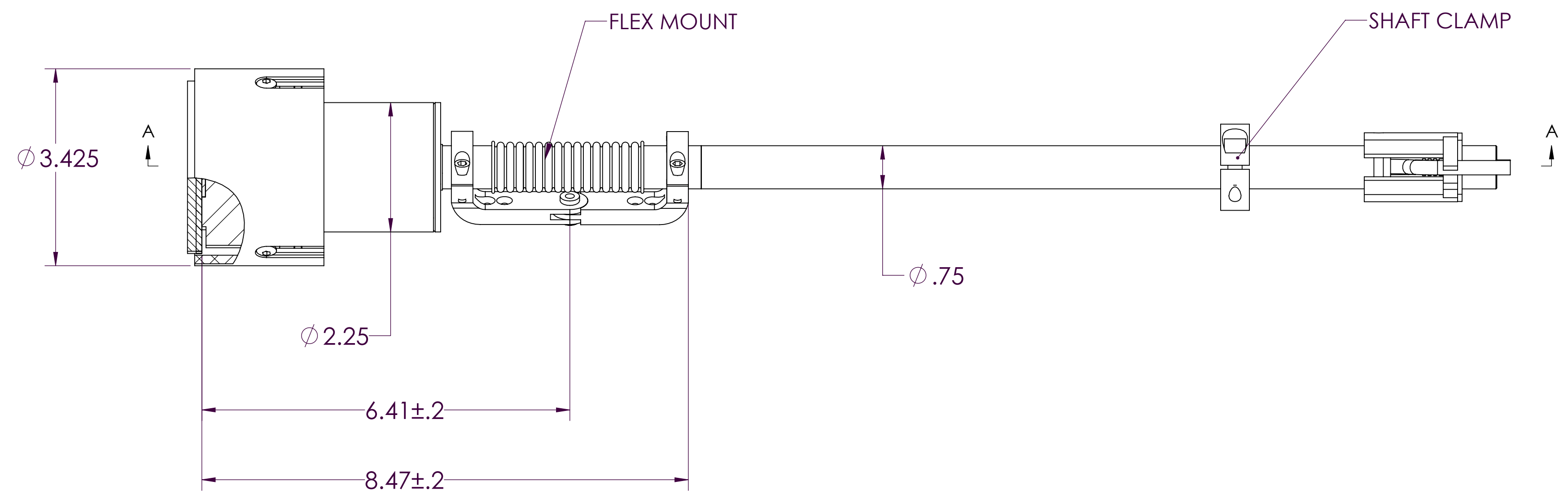
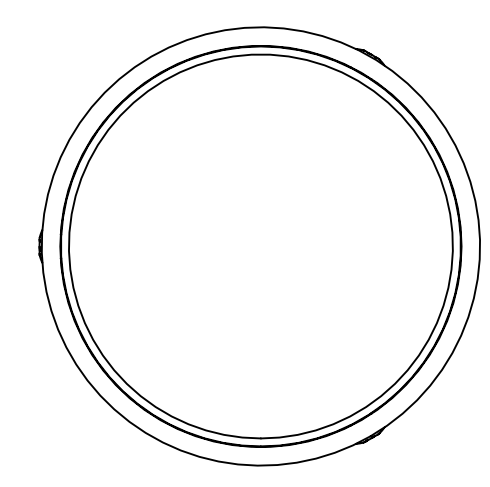
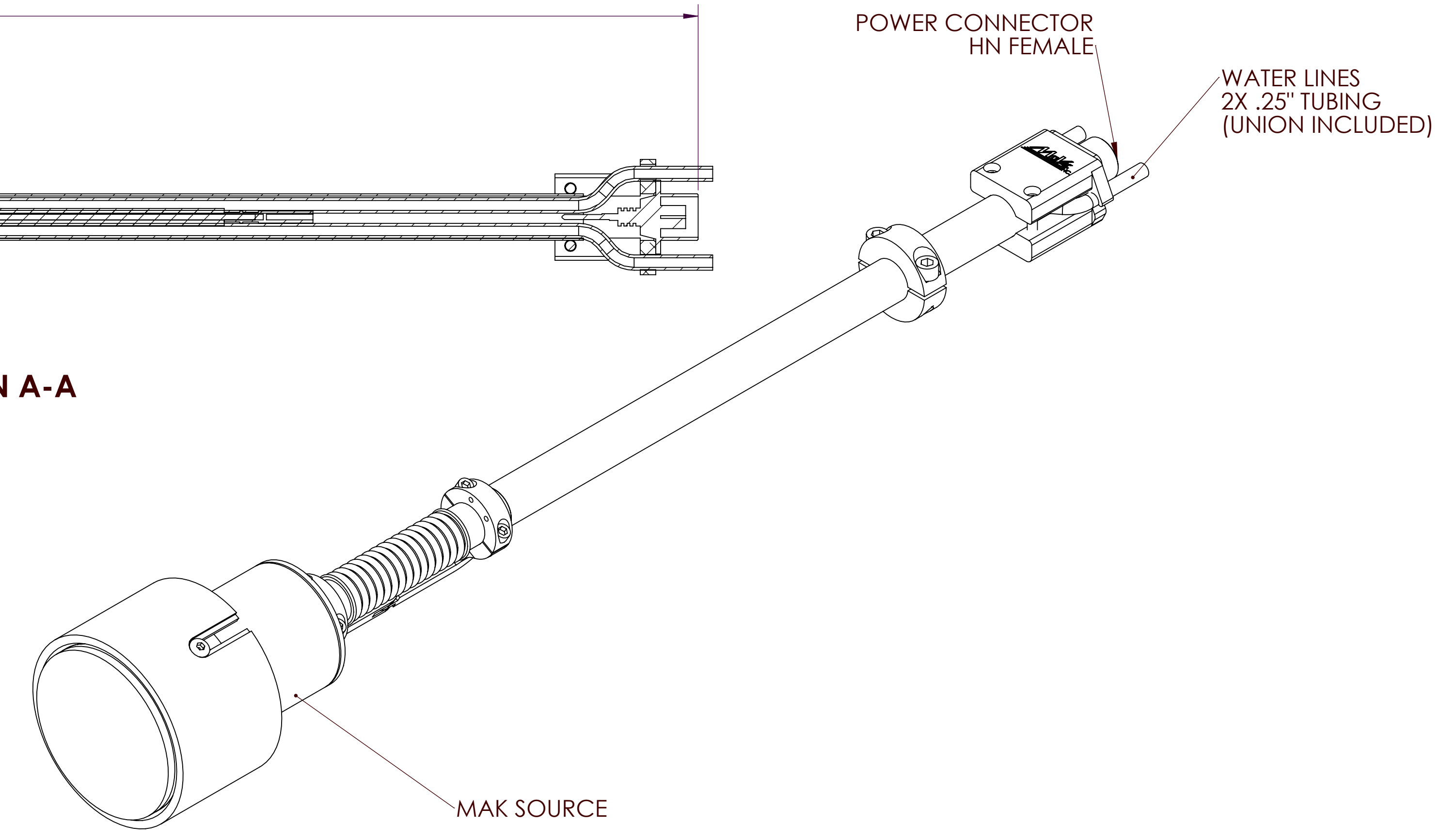
DWG. NO. L300A01FM_EXT		SHT 1/1	REV A
REVISIONS			
ZONE	REV.	DESCRIPTION	DATE
	A	DRAWING RELEASE	03-16-14



DETAIL B
SCALE 1 : 1



SECTION A-A



NOTES (UNLESS OTHERWISE SPECIFIED):
1. 3D MODEL AVAILABLE.

UNLESS OTHERWISE SPECIFIED DIMENSIONS ARE IN INCHES TOLERANCES ARE: DECIMALS .X ± .1 .XX ± .01 .XXX ± .005 MATERIAL: SEE BOM FINISH: DO NOT SCALE DRAWING		THIS DOCUMENT IS THE PROPERTY OF MEIVAC, INC. ITS USE IS AUTHORIZED ONLY FOR RESPONDING TO A REQUEST FOR QUOTATION OR FOR THE PERFORMANCE OF WORK FOR MEIVAC, INC. ALL QUESTIONS MUST BE REFERRED TO MEIVAC ENGINEERING DEPARTMENT.	APPROVALS DRAWN DICK M CHECKED ISSUED	DATE 06-02-06	TITLE: 3" MAK SOURCE, FLEXMOUNT ASSEMBLY
SIZE D		CAGE CODE	DWG. NO. L300A01FM_EXT	REV A	SCALE: NONE
AUTOCAD FILE NAME = L300A01FM.DWG					SHEET 1 OF 1