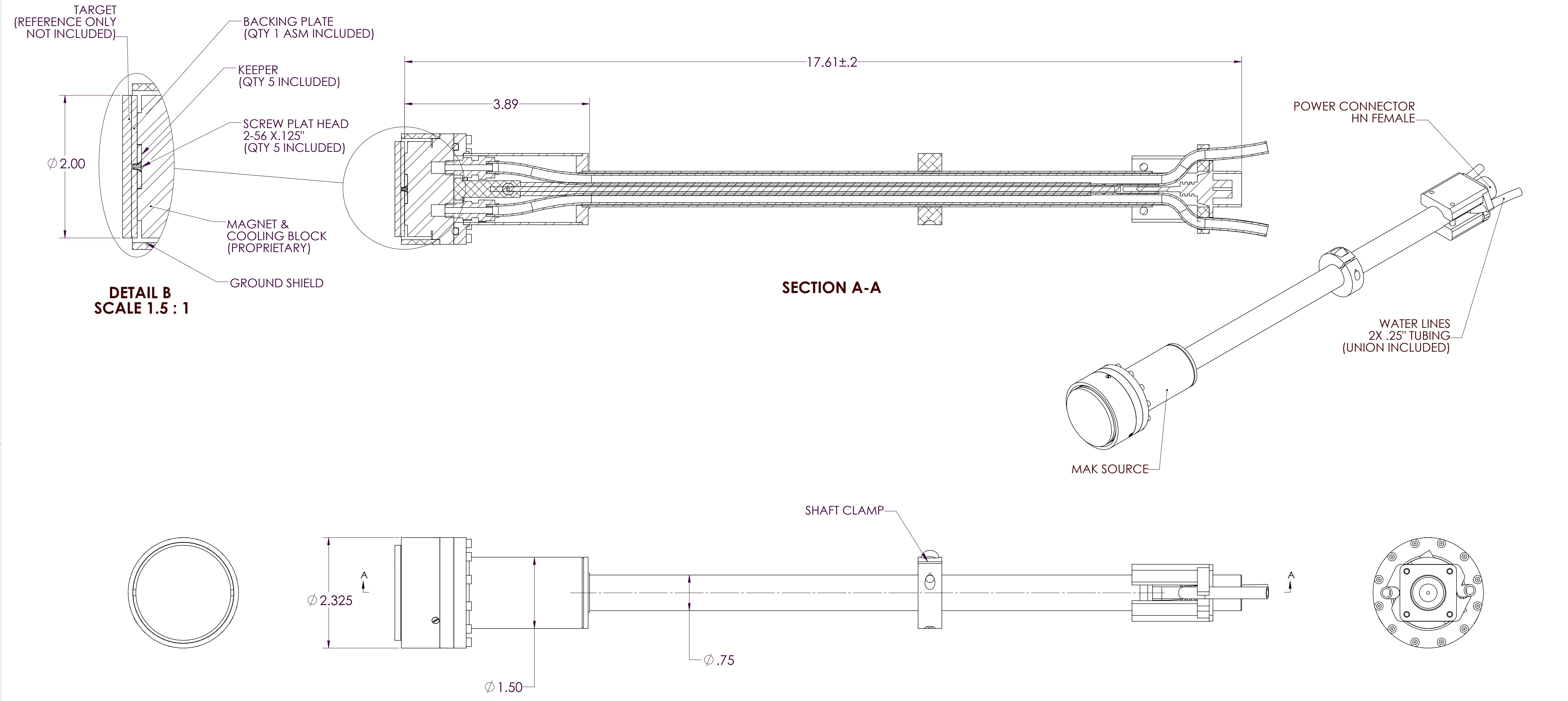



DWG NO. L200A01_EXT		SHT 1/1	REV E	1	
REVISIONS					
ZONE	REV.	DESCRIPTION	DATE	APPROVED	
	E	DRAWING RELEASE	03-19-14		



NOTES (UNLESS OTHERWISE SPECIFIED):  
 1. 3D MODEL AVAILABLE.

UNLESS OTHERWISE SPECIFIED DIMENSIONS ARE IN INCHES TOLERANCES ARE: DECIMALS .X ± .1 .XX ± .01 .XXX ± .005 MATERIAL: SEE BOM FINISH: DO NOT SCALE DRAWING		THIS DOCUMENT IS THE PROPERTY OF MEIVAC, INC. ITS USE IS AUTHORIZED ONLY FOR RESPONDING TO A REQUEST FOR QUOTATION OR FOR THE PERFORMANCE OF WORK FOR MEIVAC, INC. ALL QUESTIONS MUST BE REFERRED TO MEIVAC ENGINEERING DEPARTMENT.		 <b>2" MAK SOURCE VERTICAL MOUNT</b>	
APPROVALS		DATE		TITLE:	
DRAWN TOM ERBES		04/12/10		SIZE D	
CHECKED				CAGE CODE	
ISSUED				DWG. NO. L200A01_EXT	
				REV E	
		SCALE: NONE		SHEET 1 OF 1	