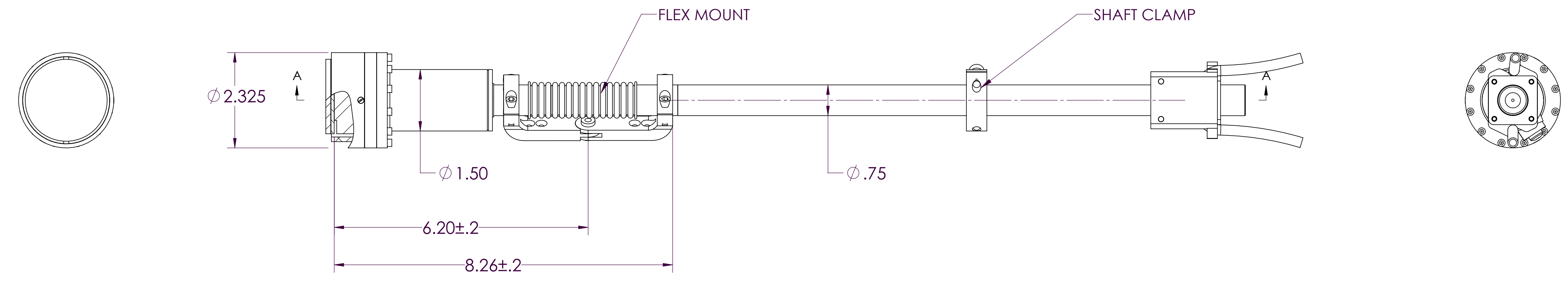
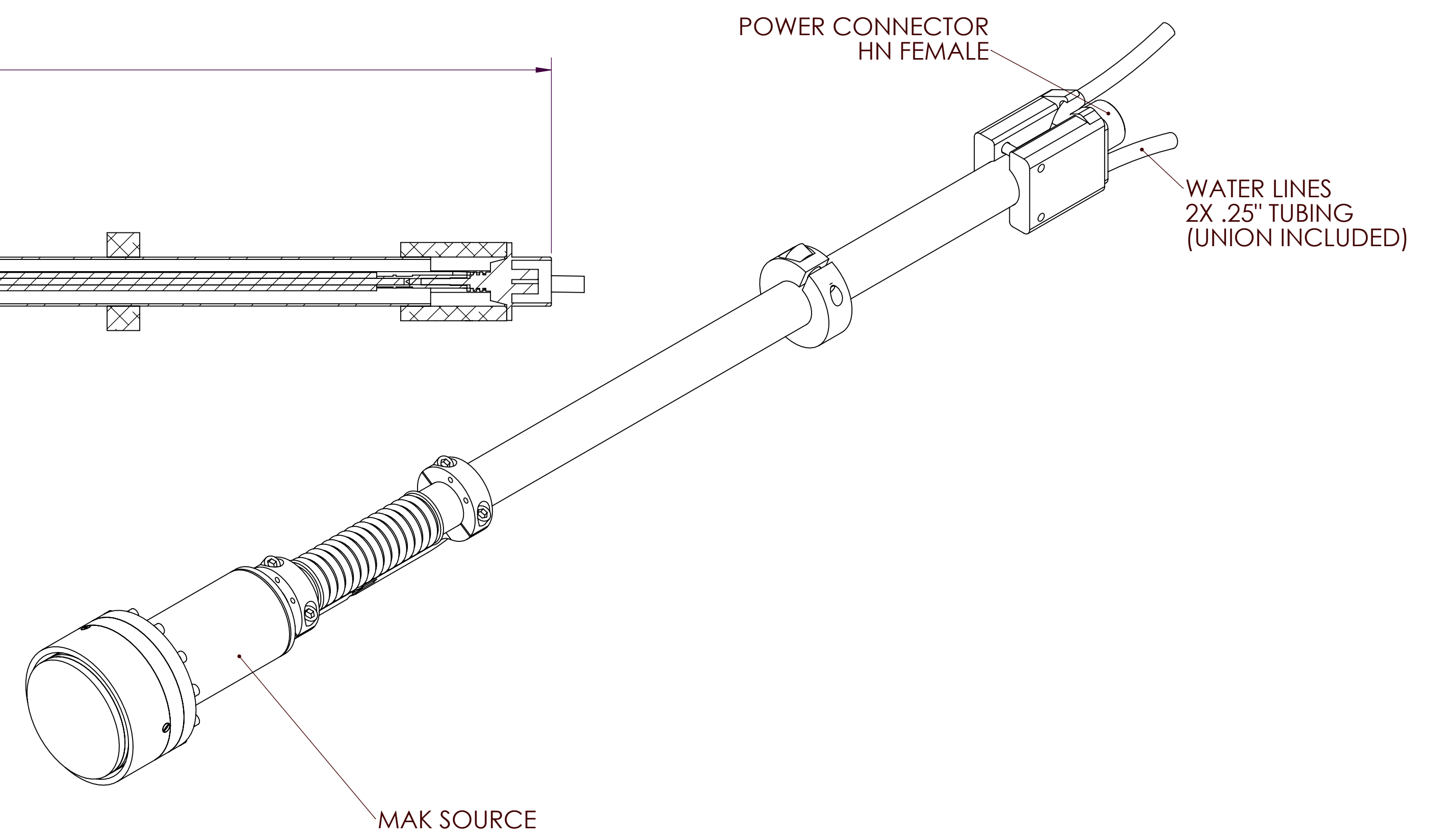
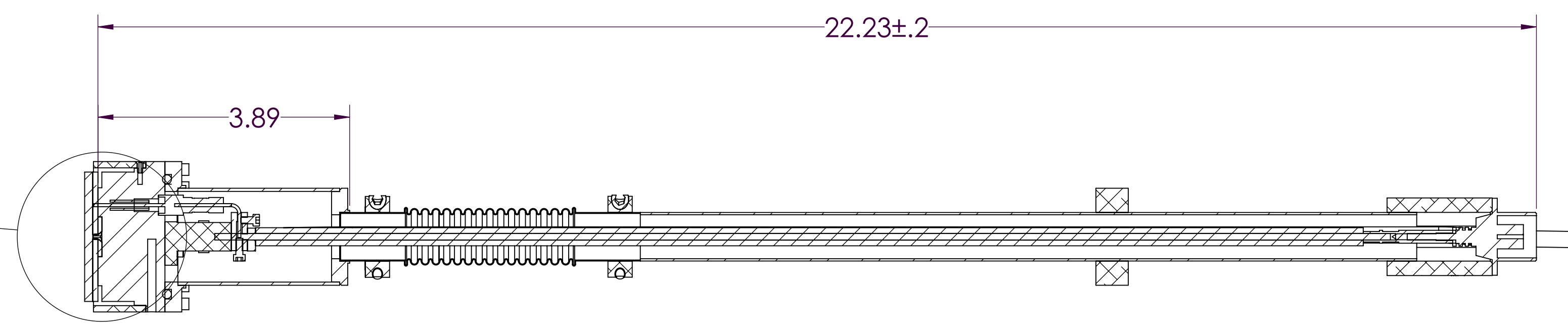
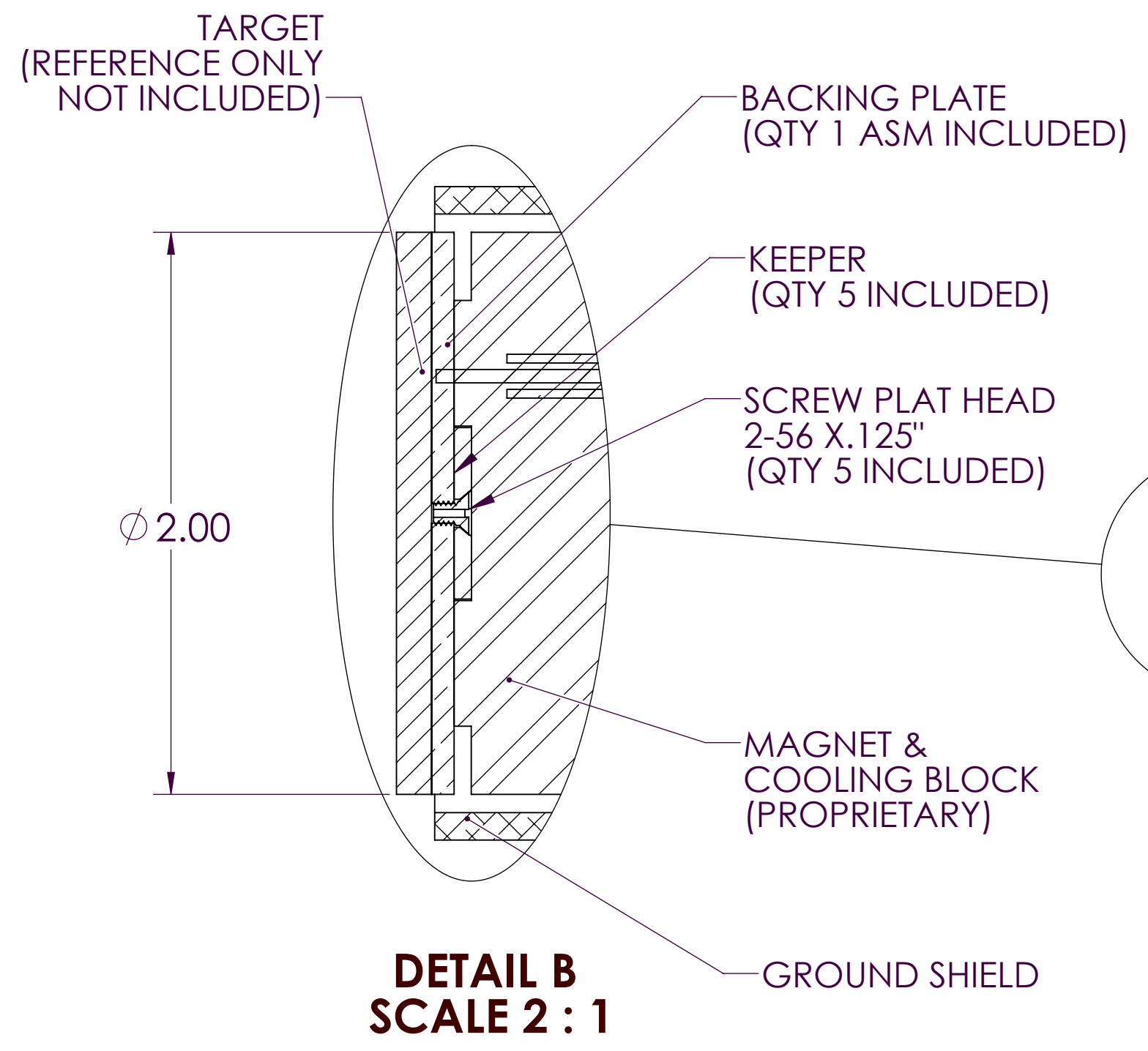


DWG. NO. L200A01FM_EXT		SHT 1/1	REV B	1	
REVISIONS					
ZONE	REV.	DESCRIPTION	DATE	APPROVED	
	B	DRAWING RELEASE	03-16-14		



NOTES (UNLESS OTHERWISE SPECIFIED):
1. 3D MODEL AVAILABLE.

UNLESS OTHERWISE SPECIFIED DIMENSIONS ARE IN INCHES TOLERANCES ARE: DECIMALS .X ± .1 .XX ± .01 .XXX ± .005 MATERIAL: SEE BOM FINISH: 63 DO NOT SCALE DRAWING		ANGLES ±1/2°	THIS DOCUMENT IS THE PROPERTY OF MEIVAC, INC. ITS USE IS AUTHORIZED ONLY FOR RESPONDING TO A REQUEST FOR QUOTATION OR FOR THE PERFORMANCE OF WORK FOR MEIVAC, INC. ALL QUESTIONS MUST BE REFERRED TO MEIVAC ENGINEERING DEPARTMENT.	APPROVALS DRAWN TOM ERBES CHECKED	DATE 4-22-10	TITLE: 2" MAK SOURCE FLEXMOUNT
			ISSUED	SIZE D	CAGE CODE	DWG. NO. L200A01FM_EXT
			SCALE: NONE	SHEET 1 OF 1		