



# Eurovacuum EVT Series

High Performance Turbo molecular pumps



## Eurovacuum EVT Series

### High Performance Turbo molecular pumps

**Eurovacuum** Company is offering its various products to meet industrial vacuum needs.

**Eurovacuum** Company is founded in 2006, with over 30 year experiences in the vacuum Industry its founders have been putting their best efforts continuously to deliver high quality Turbo molecular Pumps, with diverse range of capacity.

Eurovacuum has chosen to deliver Turbo molecular pumps manufactured by **KYKY Technology Development Ltd.** from Beijing in China, because these pumps are build at world-class quality. To proof there quality these pumps are supplied with a 18 month warranty, the best warranty in the business. These pumps are the ideal solution for applications requiring rugged reliable and proven hardware.

#### **Advantages to the User**

- 18 month warranty
- Very good price/quality level
- Instant exchange program available within Europe
- High pumping speed
- Low noise level
- Pumps are supplied with CE certificate
- Wide range of accessories available for easy adaptation

#### **Application Examples**

- Furnaces and plants
- Laser technology
- Medicinal technology
- Metallurgy
- Space simulation
- Vacuum coating
- Semi-conductor
- Data storage

**KYKY** **北京中科科仪技术发展有限责任公司**  
**KYKY TECHNOLOGY DEVELOPMENT LTD.**

**Eurovacuum**

**Head office**  
Wilgenweg 17  
3421TV Oudewater  
The Netherlands

Tel. +31-(0)348560060  
Fax. +31-(0)348560075  
info@eurovacuum.eu  
<http://www.eurovacuum.eu>

# Contents

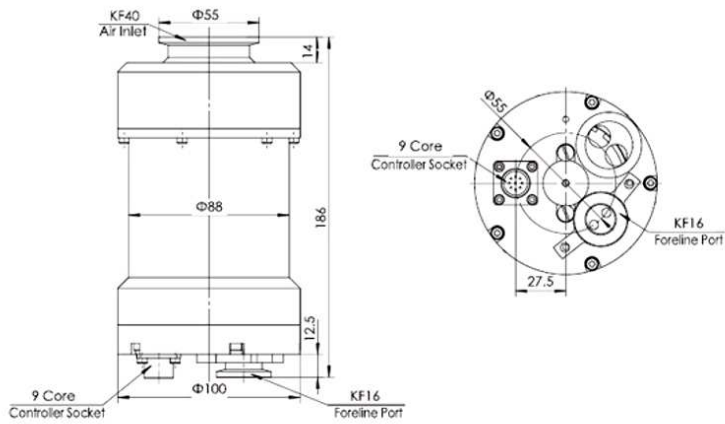
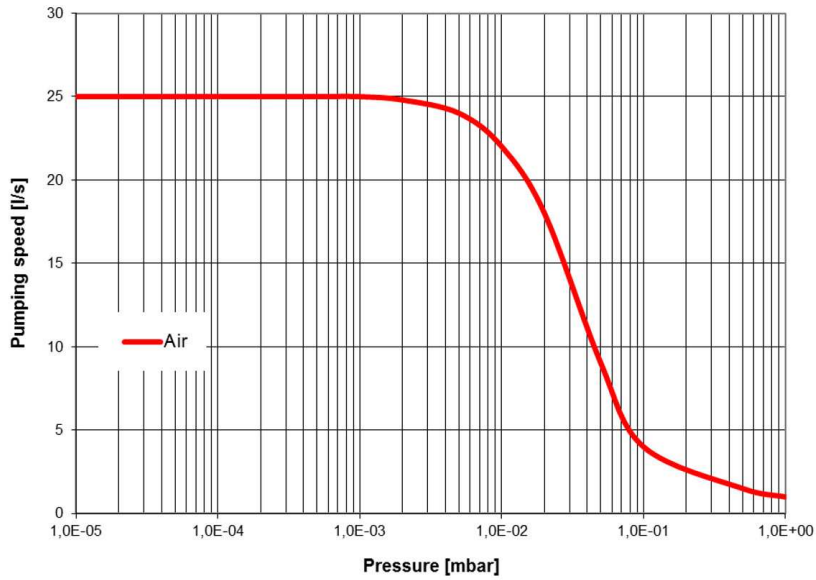


## Eurovacuum EVT Series

• EVT-025E	4
• EVT-080E	6
• EVT-110E	8
• EVT-150E	10
• EVT-300E	12
• EVT-620E	14
• EVT-620FE	16
• EVT-700E	18
• EVT-700FE	20
• EVT-1200E	22
• EVT-1300E	24
• EVT-1300FE	26
• EVT-1600E	28
• EVT-2000E	30
• EVT-3600E	32
• EVT-620NE	34
(Chemical applications)	
• EVT-1200NE	36
(Chemical applications)	
• EVT-Controls	38

Accessories for Turbo Pump	39
----------------------------	----

# TYPE EVT-025E

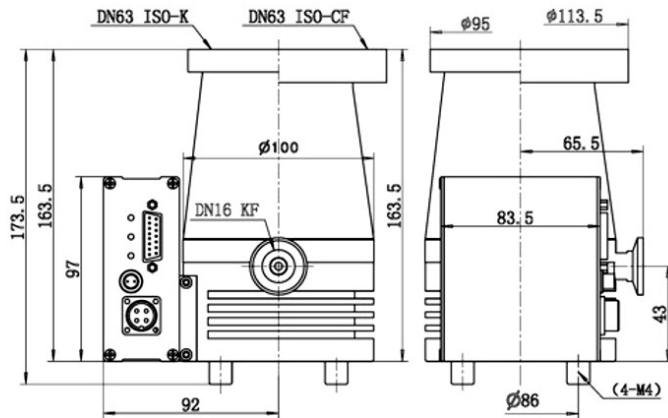
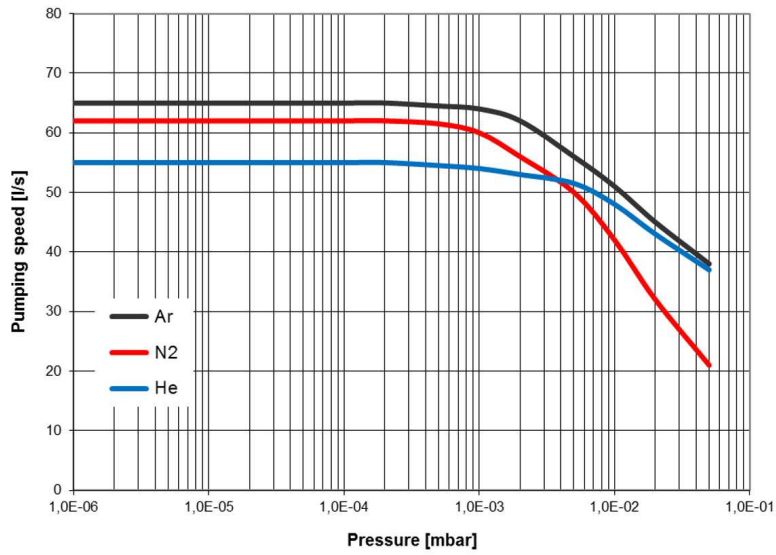


## TYPE EVT-025E

Technical Data		TYPE EVT-025E
		025E-KF
Pump type		Compound/Drag
Inlet Flange		40 KF
Fore vacuum Flange		16 KF
Pumping speed (Air)	l/s	25
Fore vacuum max.	mbar	0,1
Rotation Speed	rpm	36.000
H <sub>2</sub> Compression Ratio		6x10 <sup>3</sup>
N <sub>2</sub> Compression Ratio		10 <sup>7</sup>
Ultimate Vacuum	mbar	1x10 <sup>-6</sup>
Run up Time	sec	< 90
Control Unit		TD
Bake-out temperature	°C	< 80
Cooling medium		Air
Bearing type		Ceramic Grease
Operating Orientation		Any
Weight Pump/Controller	kg	3,0 / 1,0
Controller dimensions l×w×h	mm	135x130x70

Ordering Information	TYPE EVT-025E
	025E-KF
<b>Turbo drag pump EVT-025E</b> excl. control unit & cable	800202
<b>Turbo drag pump EVT-025E</b> incl. control unit & cable	800204
Recommended pre-vacuum pump: Standard operation Type EVD-VRD-2, 230V AC	417100
Purge gas operation Type EVD-6, 230V AC	420901

# TYPE EVT-080E

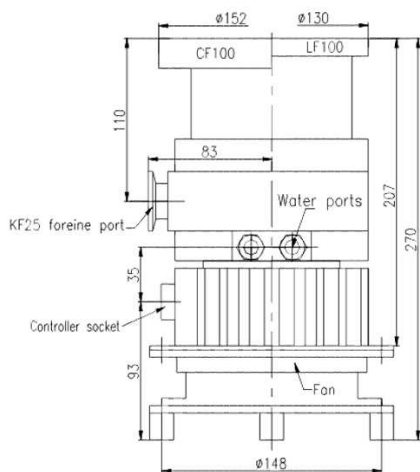
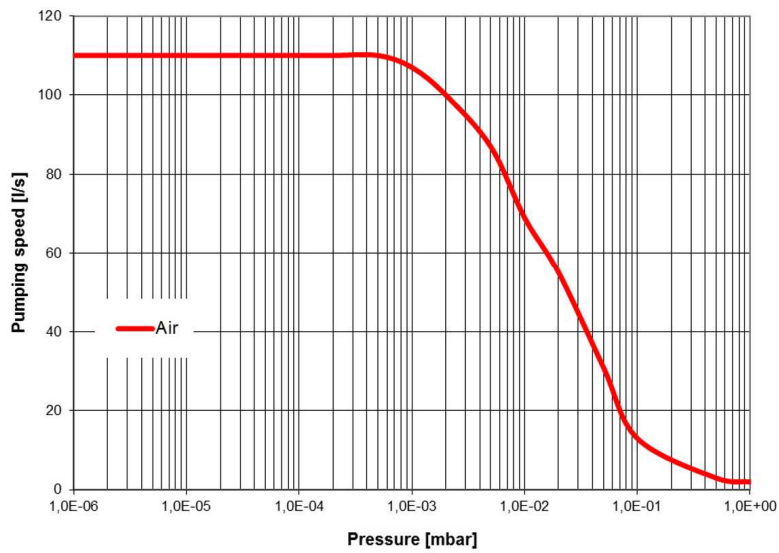


## TYPE EVT-080E

Technical Data		TYPE EVT-080E	
		080E-LF	080E-CF
Pump type		Compound/Drag	Compound/Drag
Inlet Flange		63 ISO-K	63 CF
Fore vacuum Flange		16 KF	16 KF
Pumping speed (Ar)	l/s	65	65
Pumping speed (N <sub>2</sub> )	l/s	62	62
Pumping speed (He)	l/s	55	55
Fore vacuum max.	mbar	15	12
Rotation Speed	rpm	72.000	72.000
H <sub>2</sub> Compression Ratio		> 2x10 <sup>5</sup>	> 2x10 <sup>5</sup>
N <sub>2</sub> Compression Ratio		> 1x10 <sup>9</sup>	> 1x10 <sup>9</sup>
Ultimate Vacuum	mbar	< 3,5x10 <sup>-8</sup>	< 5x10 <sup>-9</sup>
Gas throughput at full speed	sccm	35	30
Run up Time	min	< 2	< 2
Control Unit		TC100 / TCP100	TC100 / TCP100
Input Voltage		24VDC / 100W	24VDC / 100W
Cooling medium		Air (water option)	Air (water option)
Max. magnetic field	mT	< 3	< 3
Bearing type		Ceramic Grease	Ceramic Grease
Operating Orientation		Any	Any
Weight Pump/Controller	kg	2,6 / 1,0	3,5 / 1,0
Communication modul		RS-232 (RS-485)	RS-232 (RS-485)
Controller dimensions l x w x h	mm	135x130x70	135x130x70

Ordering Information	TYPE EVT-080E	
	080E-LF	080E-CF
<b>Turbo drag pump EVT-080E</b> excl. control unit & cable	800802	800803
TC-100 onboard controller	800042	
TCP-100 controller and power supply	800041	
Controller cable 2,5 m	801011	
Controller cable 5 m	801012	
Recommended pre-vacuum pump: Standard operation Type EVD-VRD-2, 230V AC	417100	
Purge gas operation Type EVD-6, 230V AC	420901	

# TYPE EVT-110E



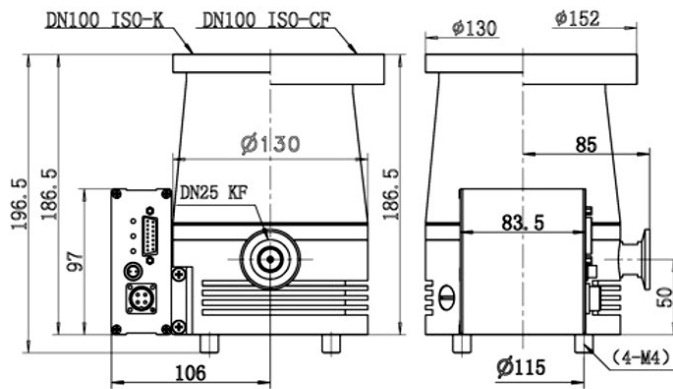
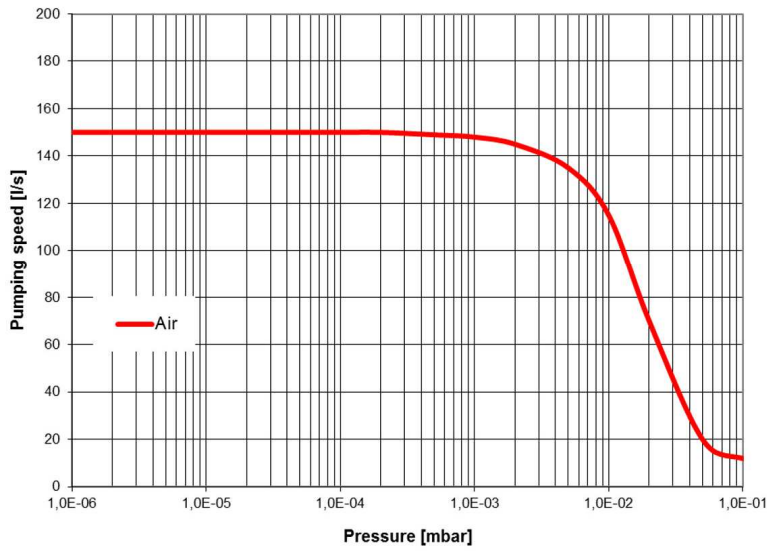


## TYPE EVT-110E

Technical Data		TYPE EVT-110E	
		110E-LF	110E-CF
Pump type		Compound/Drag	Compound/Drag
Inlet Flange		100 ISO-K	100 CF
Fore vacuum Flange		25 KF	25 KF
Pumping speed (air)	l/s	110	110
Pressure for max. speed	mbar	$1 \times 10^{-3}$	$1 \times 10^{-3}$
Rotation Speed	rpm	42.300	42.300
H <sub>2</sub> Compression Ratio		$5 \times 10^2$	$5 \times 10^2$
N <sub>2</sub> Compression Ratio		$1 \times 10^8$	$1 \times 10^8$
Ultimate Vacuum	mbar	$6 \times 10^{-8}$	$6 \times 10^{-9}$
Run up Time	min	< 2	< 2
Control Unit		FD-II 110A	FD-II 110A
Input Voltage	VAC	220/110 ±10%	220/110 ±10%
Cooling medium		Air / water	Air / water
Bearing type		Ceramic Oil	Ceramic Oil
Operating Orientation		Vertical/horizontal	Vertical/horizontal
Weight	kg	8	8

Ordering Information	TYPE EVT-110E	
	110E-LF	110E-CF
<b>Turbo drag pump EVT-110E</b> incl. splinter screen	801000	801001
<b>Control unit type FD-II 110A</b>	801010	801010
Cable 2,5 m	801011	801011
Cable 5 m	801012	801012
Cable 10 m	801013	801013
Cable 20 m	801014	801014
Other lengths	Upon request	Upon request
Heating jacket 230V AC	-	801020
Venting valve NC 230V AC, 50/60Hz	250-533	
Venting valve NC 24V AC, 50/60Hz	250-531	
Venting valve NC 24V, DC	250-530	
Filter for venting valves	215-152	
Venting valve NO 200-230V, 50/60Hz	250-851	
Venting valve NO 24V, DC	250-850	
Delayed venting unit	Upon request	
Recommended pre-vacuum pump:		
Standard operation		
Type EVD-6, 230V AC	420901	
Purge gas operation		
Type EVD-12, 230V AC	421901	

# TYPE EVT-150E

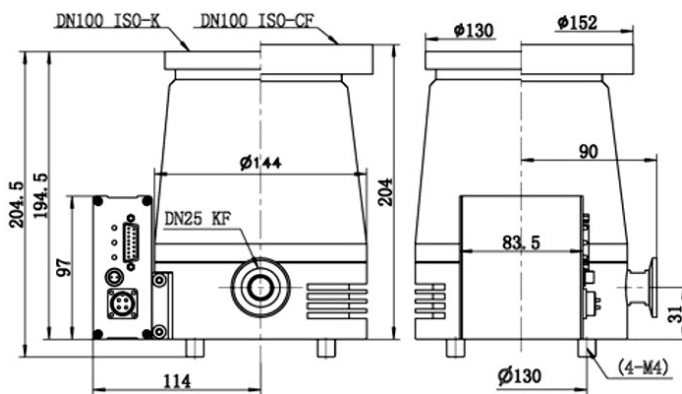
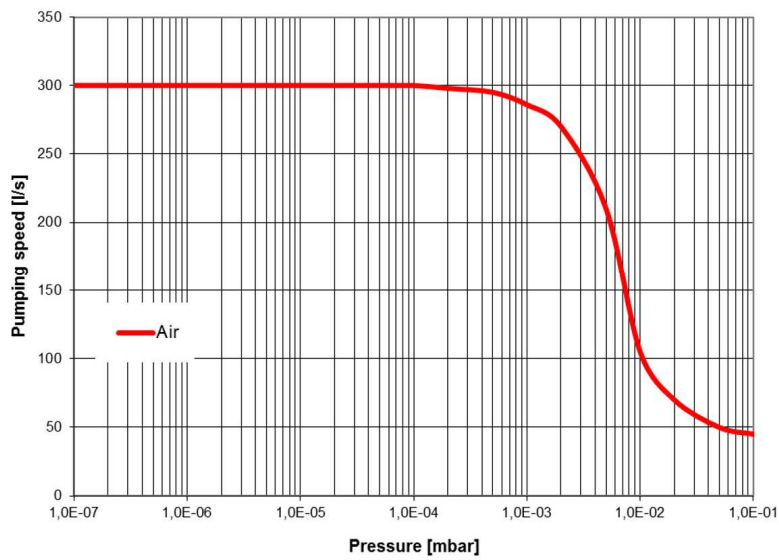


## TYPE EVT-150E

Technical Data		TYPE EVT-150E	
		150E-LF	150E-CF
Pump type		Compound/Drag	Compound/Drag
Inlet Flange		100 ISO-K	100 CF
Fore vacuum Flange		25 KF	25 KF
Pumping speed (Air)	l/s	150	150
Fore vacuum max.	mbar	5	5
Rotation Speed	rpm	51.000	51.000
H <sub>2</sub> Compression Ratio		> 6x10 <sup>3</sup>	> 6x10 <sup>3</sup>
N <sub>2</sub> Compression Ratio		> 1x10 <sup>7</sup>	> 1x10 <sup>7</sup>
Ultimate Vacuum	mbar	< 6x10 <sup>-8</sup>	< 6x10 <sup>-9</sup>
Gas throughput at full speed	sccm	35	30
Run up Time	min	< 2	< 2
Control Unit		TC100 / TCP100	TC100 / TCP100
Input Voltage		24VDC / 100W	24VDC / 100W
Cooling medium		Air (water option)	Air (water option)
Max. magnetic field	mT	< 3	< 3
Vibration	µm	< 0,1	< 0,1
Bearing type		Ceramic Grease	Ceramic Grease
Operating Orientation		Any	Any
Weight Pump/Controller	kg	6,0 / 1,0	8,6 / 1,0
Communication modul		RS-232 (RS-485)	RS-232 (RS-485)
Controller dimensions l x w x h	mm	135x130x70	135x130x70

Ordering Information	TYPE EVT-150E	
	150E-LF	150E-CF
<b>Turbo drag pump EVT-150E</b> excl. control unit & cable	801502	801503
TC-100 onboard controller	800042	
TCP-100 controller and power supply	800041	
Controller cable 2,5 m	801011	
Controller cable 5 m	801012	
Recommended pre-vacuum pump: Standard operation Type EVD-6, 230V AC	420901	
Purge gas operation Type EVD-12, 230V AC	421901	

# TYPE EVT-300E



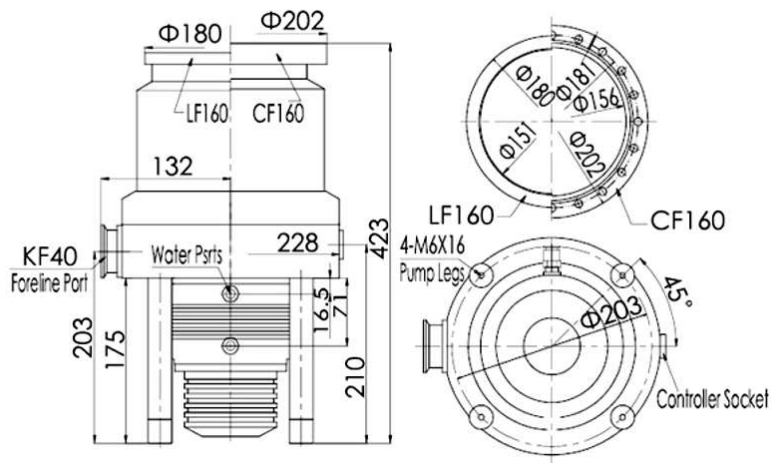
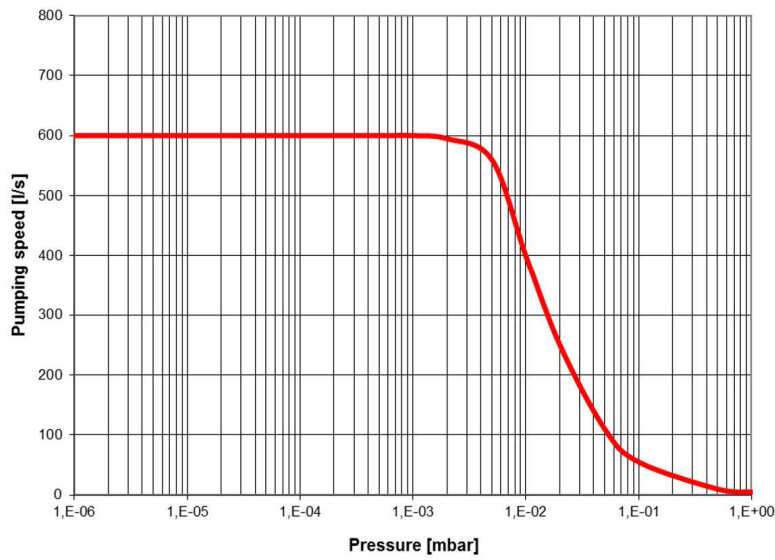
## TYPE EVT-300E

Technical Data		TYPE EVT-300E	
		300E-LF	300E-CF
Pump type		Compound/Drag	Compound/Drag
Inlet Flange		100 ISO-K	100 CF
Fore vacuum Flange		25 KF	25 KF
Pumping speed (Air)	l/s	300	300
Fore vacuum max.	mbar	5	5
Rotation Speed	rpm	60.000	60.000
H <sub>2</sub> Compression Ratio		> 5x10 <sup>5</sup>	> 5x10 <sup>5</sup>
N <sub>2</sub> Compression Ratio		> 6x10 <sup>8</sup>	> 6x10 <sup>8</sup>
Ultimate Vacuum	mbar	< 6x10 <sup>-8</sup>	< 6x10 <sup>-9</sup>
Run up Time	min	< 3,5	< 3,5
Control Unit		TC100 / TCP100	TC100 / TCP100
Input Voltage		24VDC / 100W	24VDC / 100W
Cooling medium		Air (water option)	Air (water option)
Vibration	µm	< 0,1	< 0,1
Bearing type		Ceramic Grease	Ceramic Grease
Operating Orientation		Any	Any
Weight Pump/Controller	kg	8,5 / 1,0	11,0 / 1,0
Communication modul		RS-232 (RS-485)	RS-232 (RS-485)
Controller dimensions l <sub>w</sub> xh	mm	135x130x70	135x130x70

Ordering Information	TYPE EVT-300E	
	300E-LF	300E-CF
<b>Turbo drag pump EVT-300E</b> excl. control unit & cable	803002	803003
TC-100 onboard controller	800042	
TCP-100 controller and power supply	800041	
Controller cable 2,5 m	801011	
Controller cable 5 m	801012	
Recommended pre-vacuum pump: Standard operation Type EVD-12, 230V AC	421901	
Purge gas operation Type EVD-24, 230V AC	422901	

# TYPE EVT-620E

water cooled



# TYPE EVT-620E

water cooled

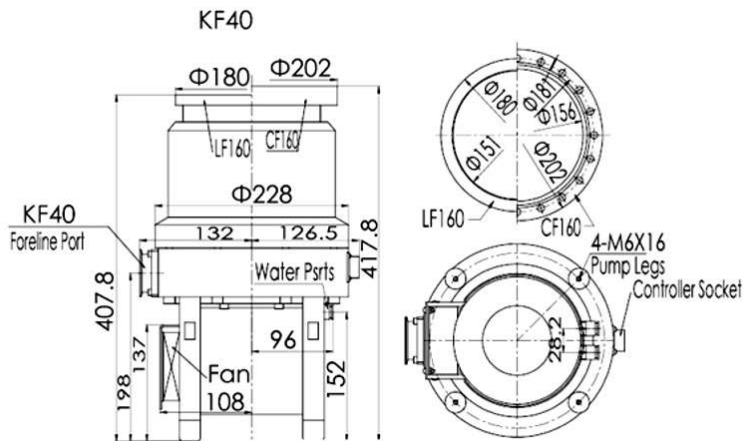
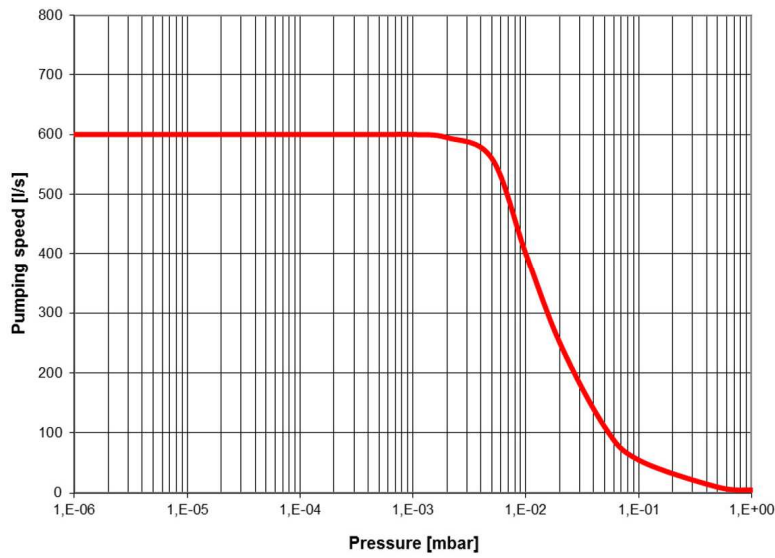
Technical Data		TYPE EVT-620E	
		620E-LF	620E-CF
Pump type		Compound/Drag	Compound/Drag
Inlet Flange		160 ISO-K	160 CF
Fore vacuum Flange		40 KF	40 KF
Pumping speed (air)	l/s	600	600
Pressure for max. speed	mbar	$1 \times 10^{-2}$	$1 \times 10^{-2}$
Rotation Speed	rpm	36.000	36.000
H <sub>2</sub> Compression Ratio		$6 \times 10^3$	$6 \times 10^3$
N <sub>2</sub> Compression Ratio		$1 \times 10^9$	$1 \times 10^9$
Ultimate Vacuum	mbar	$6 \times 10^{-8}$	$6 \times 10^{-9}$
Max. bake-out temp.	°C	100	100
Run up Time	min	< 6	< 6
Vibration	µm	< 0,1	< 0,1
Control Unit		TCDP-II	TCDP-II
Input Voltage	VAC	220/110 ±10%	220/110 ±10%
Cooling medium		Water	Water
Bearing type		Ceramic Oil	Ceramic Oil
Operating Orientation		Vertical (± 5°)	Vertical (± 5°)
Weight	kg	29	29

Ordering Information	TYPE EVT-620E	
	620E-LF	620E-CF
<b>Turbo drag pump EVT-620E</b> incl. splinter screen	806000	806001
<b>Control unit type TCDP-II</b>	800040	800040
Cable 2,5 m	800011	800011
Cable 5 m	800012	800012
Cable 10 m	800013	800013
Cable 20 m	800014	800014
Other lengths	Upon request	Upon request
Heating jacket 230V AC	-	806020
Venting valve NC 230V AC, 50/60Hz	250-533	
Venting valve NC 24V AC, 50/60Hz	250-531	
Venting valve NC 24V, DC	250-530	
Filter for venting valves	215-152	
Venting valve NO 200-230V, 50/60Hz	250-851	
Venting valve NO 24V, DC	250-850	
Delayed venting unit	Upon request	
Recommended pre-vacuum pump:		
Standard operation		
Type EVD-24, 230V AC	422901	
Purge gas operation		
Type EVD-36, 230V AC	423901	
Also Dry pumps can be used		



# TYPE EVT-620FE

air cooled





# TYPE EVT-620FE

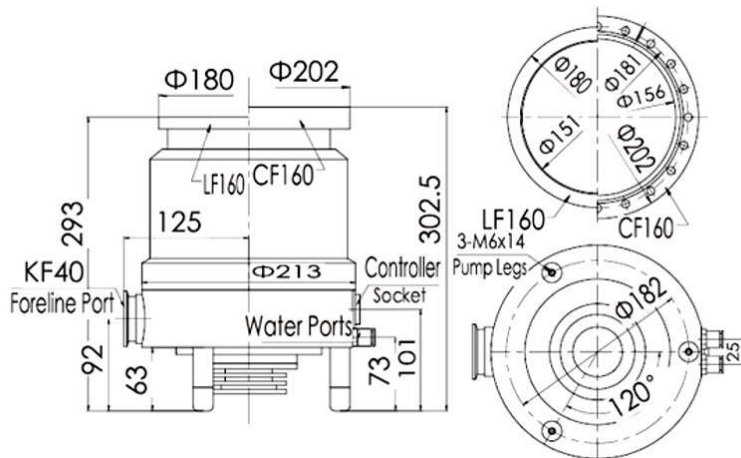
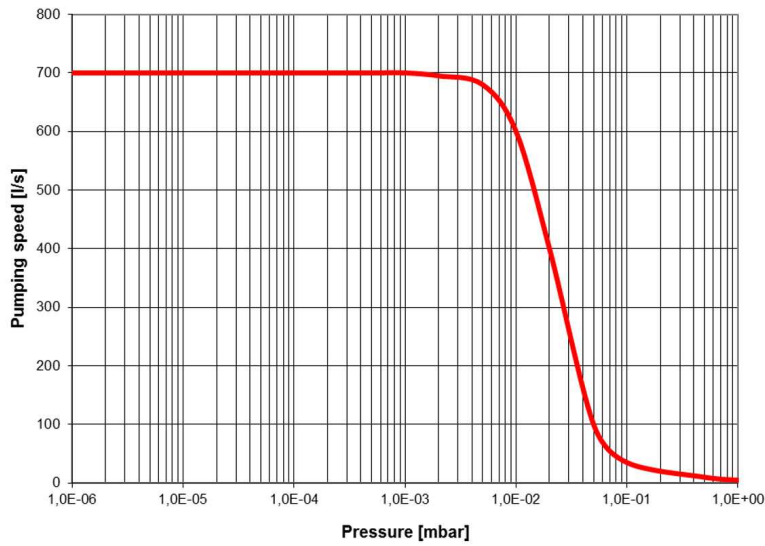
air cooled

Technical Data		TYPE EVT-620FE	
		620FE-LF	620FE-CF
Pump type		Compound/Drag	Compound/Drag
Inlet Flange		160 ISO-K	160 CF
Fore vacuum Flange		40 KF	40 KF
Pumping speed (air)	l/s	600	600
Pressure for max. speed	mbar	$1 \times 10^{-2}$	$1 \times 10^{-2}$
Rotation Speed	rpm	27.000	27.000
H <sub>2</sub> Compression Ratio		$6 \times 10^3$	$6 \times 10^3$
N <sub>2</sub> Compression Ratio		$1 \times 10^9$	$1 \times 10^9$
Ultimate Vacuum	mbar	$6 \times 10^{-8}$	$6 \times 10^{-9}$
Max. bake-out temp.	°C	100	100
Run up Time	min	< 5	< 5
Vibration	µm	< 0,1	< 0,1
Control Unit		TCDP-II	TCDP-II
Input Voltage	VAC	220/110 ±10%	220/110 ±10%
Cooling medium		Air/Water(option)	Air/Water(option)
Bearing type		Ceramic Oil	Ceramic Oil
Operating Orientation		Vertical (± 5°)	Vertical (± 5°)
Weight	kg	29	29

Ordering Information	TYPE EVT-620FE	
	620FE-LF	620FE-CF
<b>Turbo drag pump EVT-620FE</b> incl. splinter screen	806002	806003
<b>Control unit type TCDP-II</b>	800040	800040
Cable 2,5 m	800011	800011
Cable 5 m	800012	800012
Cable 10 m	800013	800013
Cable 20 m	800014	800014
Other lengths	Upon request	Upon request
Heating jacket 230V AC	-	806020
Venting valve NC 230V AC, 50/60Hz	250-533	
Venting valve NC 24V AC, 50/60Hz	250-531	
Venting valve NC 24V, DC	250-530	
Filter for venting valves	215-152	
Venting valve NO 200-230V, 50/60Hz	250-851	
Venting valve NO 24V, DC	250-850	
Delayed venting unit	Upon request	
Recommended pre-vacuum pump:		
Standard operation		
Type EVD-24, 230V AC	422901	
Purge gas operation		
Type EVD-36, 230V AC	423901	
Also Dry pumps can be used		

# TYPE EVT-700E

water cooled



## TYPE EVT-700E

water cooled

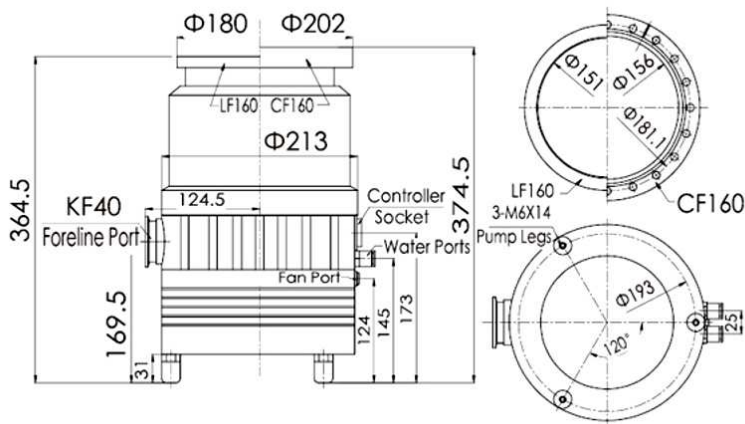
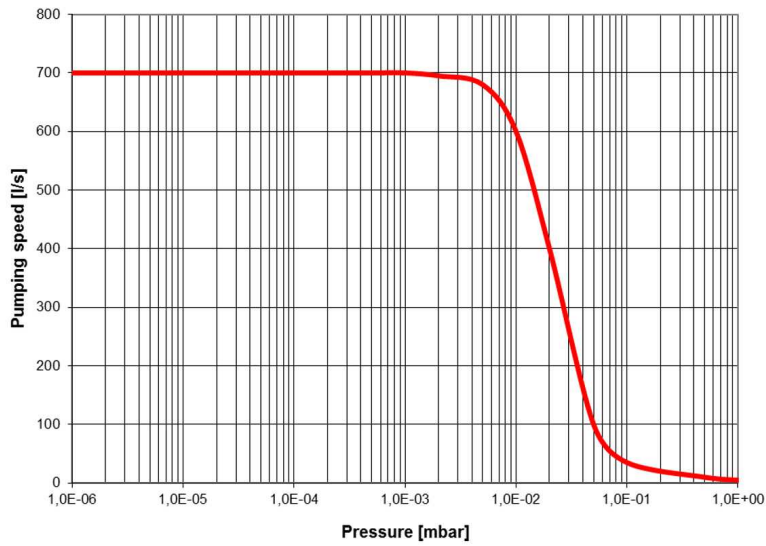
Technical Data		TYPE EVT-700E	
		700E-LF	700E-CF
Pump type		Compound/Drag	Compound/Drag
Inlet Flange		160 ISO-K	160 CF
Fore vacuum Flange		40 KF	40 KF
Pumping speed (air)	l/s	700	700
Rotation Speed	rpm	36.000	36.000
H <sub>2</sub> Compression Ratio		6x10 <sup>6</sup>	6x10 <sup>6</sup>
N <sub>2</sub> Compression Ratio		1x10 <sup>9</sup>	1x10 <sup>9</sup>
Ultimate Vacuum	mbar	6x10 <sup>-9</sup>	6x10 <sup>-10</sup>
Max. bake-out temp.	°C	100	100
Run up Time	min	< 4	< 4
Control Unit		TCDP-II	TCDP-II
Input Voltage	VAC	220/110 ±10%	220/110 ±10%
Cooling medium		Air / water	Air / water
Bearing type		Ceramic Grease	Ceramic Grease
Operating Orientation		Any	Any
Weight	kg	19	19

Ordering Information	TYPE EVT-700E	
	700E-LF	700E-CF
<b>Turbo drag pump EVT-700E</b> incl. splinter screen	807000	807001
<b>Control unit type TCDP-II</b>	800040	800040
Cable 2,5 m	800011	800011
Cable 5 m	800012	800012
Cable 10 m	800013	800013
Cable 20 m	800014	800014
Other lengths	Upon request	Upon request
Heating jacket 230V AC	-	807020
Venting valve NC 230V AC, 50/60Hz	250-533	
Venting valve NC 24V AC, 50/60Hz	250-531	
Venting valve NC 24V, DC	250-530	
Filter for venting valves	215-152	
Venting valve NO 200-230V, 50/60Hz	250-851	
Venting valve NO 24V, DC	250-850	
Delayed venting unit	Upon request	
Recommended pre-vacuum pump: Standard operation	422901	
Type EVD-24, 230V AC	422901	
Purge gas operation	423901	
Type EVD-36, 230V AC	423901	
Also Dry pumps can be used		



# TYPE EVT-700FE

air cooled



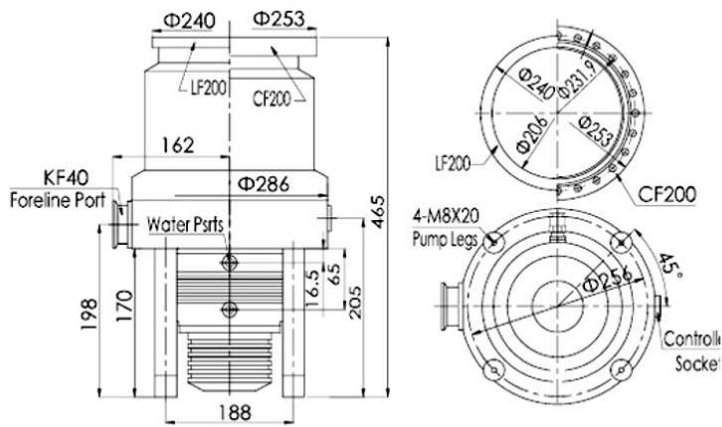
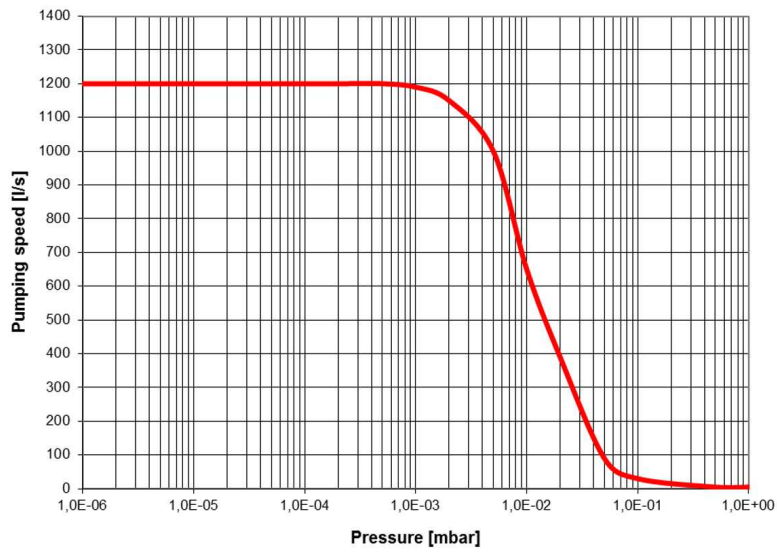
# TYPE EVT-700FE

air cooled

Technical Data		TYPE EVT-700FE	
		700FE-LF	700FE-CF
Pump type		Compound/Drag	Compound/Drag
Inlet Flange		160 ISO-K	160 CF
Fore vacuum Flange		40 KF	40 KF
Pumping speed (air)	l/s	700	700
Rotation Speed	rpm	36.000	36.000
H <sub>2</sub> Compression Ratio		6x10 <sup>6</sup>	6x10 <sup>6</sup>
N <sub>2</sub> Compression Ratio		1x10 <sup>9</sup>	1x10 <sup>9</sup>
Ultimate Vacuum	mbar	6x10 <sup>-9</sup>	6x10 <sup>-10</sup>
Max. bake-out temp.	°C	100	100
Run up Time	min	< 4	< 4
Control Unit		TCDP-II	TCDP-II
Input Voltage	VAC	220/110 ±10%	220/110 ±10%
Cooling medium		Air/Water(option)	Air/Water(option)
Bearing type		Ceramic Grease	Ceramic Grease
Operating Orientation		Any	Any
Weight	kg	23	23

Ordering Information	TYPE EVT-700FE	
	700FE-LF	700FE-CF
<b>Turbo drag pump EVT-700FE</b> incl. splinter screen	807002	807003
<b>Control unit type TCDP-II</b>	800040	800040
Cable 2,5 m	800011	800011
Cable 5 m	800012	800012
Cable 10 m	800013	800013
Cable 20 m	800014	800014
Other lengths	Upon request	Upon request
Heating jacket 230V AC	-	807020
Venting valve NC 230V AC, 50/60Hz	250-533	
Venting valve NC 24V AC, 50/60Hz	250-531	
Venting valve NC 24V, DC	250-530	
Filter for venting valves	215-152	
Venting valve NO 200-230V, 50/60Hz	250-851	
Venting valve NO 24V, DC	250-850	
Delayed venting unit	Upon request	
Recommended pre-vacuum pump: Standard operation Type EVD-24, 230V AC	422901	
Purge gas operation Type EVD-36, 230V AC Also Dry pumps can be used	423901	

# TYPE EVT-1200E



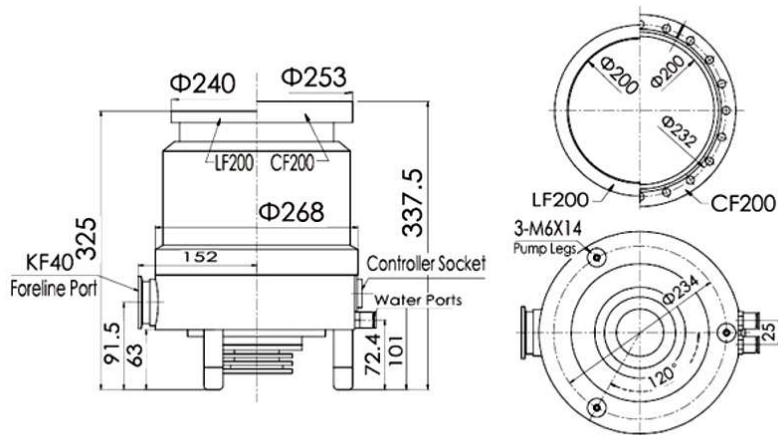
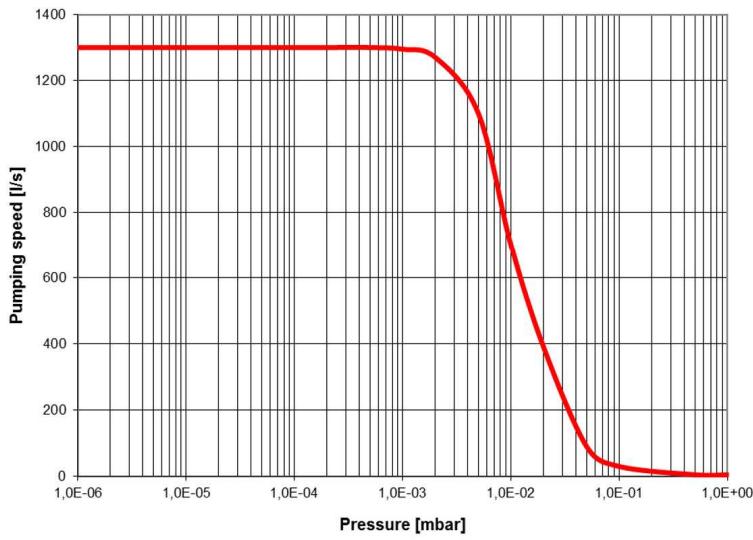
## TYPE EVT-1200E

Technical Data		TYPE EVT-1200E	
		1200E-LF	1200E-CF
Pump type		Compound/Drag	Compound/Drag
Inlet Flange		200 ISO-K	200 CF
Fore vacuum Flange		40 KF	40 KF
Pumping speed (air)	l/s	1.200	1.200
Pressure for max. speed	mbar	$1 \times 10^{-2}$	$1 \times 10^{-2}$
Rotation Speed	rpm	27.000	27.000
H <sub>2</sub> Compression Ratio		$6 \times 10^3$	$6 \times 10^3$
N <sub>2</sub> Compression Ratio		$1 \times 10^9$	$1 \times 10^9$
Ultimate Vacuum	mbar	$6 \times 10^{-8}$	$6 \times 10^{-9}$
Max. bake-out temp.	°C	100	100
Run up Time	min	< 6	< 6
Control Unit		TCDP-II	TCDP-II
Input Voltage	VAC	220/110 ±10%	220/110 ±10%
Cooling medium		Water	Water
Bearing type		Ceramic Oil	Ceramic Oil
Operating Orientation		Vertical (± 5°)	Vertical (± 5°)
Weight	kg	39	39

Ordering Information	TYPE EVT-1200E	
	1200E-LF	1200E-CF
<b>Turbo drag pump EVT-1200E</b> incl. splinter screen	812000	812001
<b>Control unit type TCDP-II</b>	800040	800040
Cable 2,5 m	800011	800011
Cable 5 m	800012	800012
Cable 10 m	800013	800013
Cable 20 m	800014	800014
Other lengths	Upon request	Upon request
Heating jacket 230V AC	-	Upon request
Venting valve NC 230V AC, 50/60Hz	250-533	
Venting valve NC 24V AC, 50/60Hz	250-531	
Venting valve NC 24V, DC	250-530	
Filter for venting valves	215-152	
Venting valve NO 200-230V, 50/60Hz	250-851	
Venting valve NO 24V, DC	250-850	
Delayed venting unit	Upon request	
Recommended pre-vacuum pump:		
Standard operation		
Type EVD-48, 400V AC	424902	
Purge gas operation		
Type EVD-60, 400V AC	425902	
Also Dry pumps can be used		

# TYPE EVT-I300E

water cooled





## TYPE EVT-I300E

water cooled

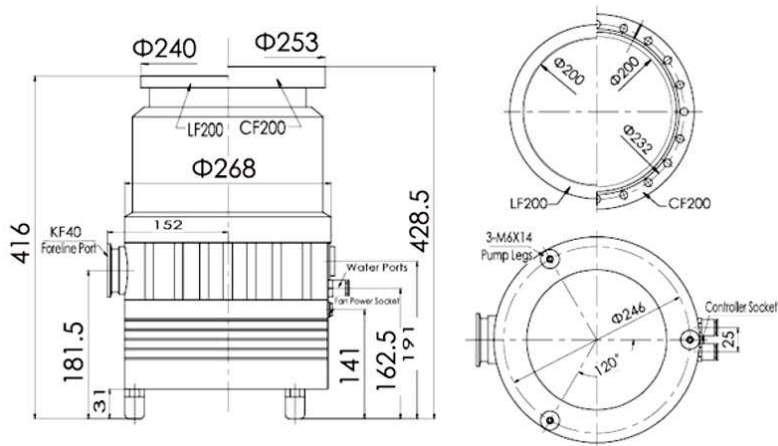
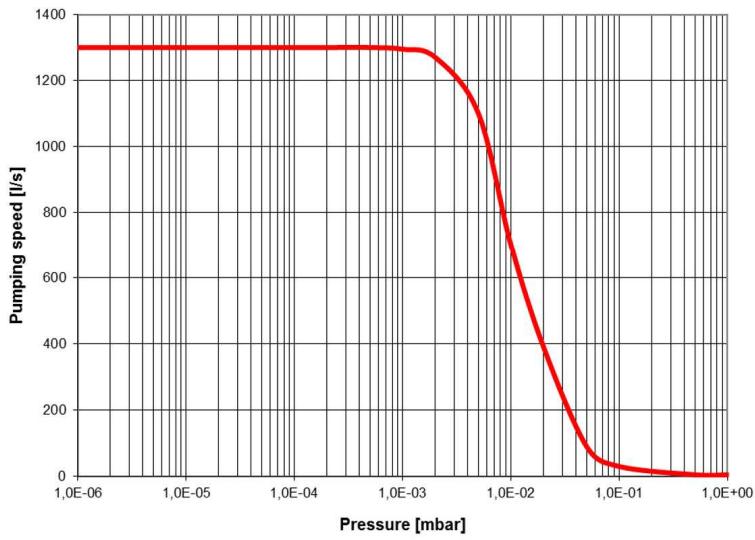
Technical Data		TYPE EVT-1300E	
		1300E-LF	1300E-CF
Pump type		Compound/Drag	Compound/Drag
Inlet Flange		200 ISO-K	200 CF
Fore vacuum Flange		40 KF	40 KF
Pumping speed (air)	l/s	1.300	1.300
Pressure for max. speed	mbar	$1 \times 10^{-2}$	$1 \times 10^{-2}$
Rotation Speed	rpm	24.000	24.000
H <sub>2</sub> Compression Ratio		$6 \times 10^3$	$6 \times 10^3$
N <sub>2</sub> Compression Ratio		$1 \times 10^9$	$1 \times 10^9$
Ultimate Vacuum	mbar	$6 \times 10^{-8}$	$6 \times 10^{-9}$
Max. bake-out temp.	°C	100	100
Run up Time	min	< 6	< 6
Control Unit		TCDP-II	TCDP-II
Input Voltage	VAC	220 ±10%	220 ±10%
Cooling medium		Water	Water
Bearing type		Ceramic Grease	Ceramic Grease
Operating Orientation		Any	Any
Weight	kg	29	29

Ordering Information	TYPE EVT-1300E	
	1300E-LF	1300E-CF
<b>Turbo drag pump EVT-1300E</b> incl. splinter screen	813000	813001
<b>Control unit type TCDP-II</b>	800040	800040
Cable 2,5 m	800011	800011
Cable 5 m	800012	800012
Cable 10 m	800013	800013
Cable 20 m	800014	800014
Other lengths	Upon request	Upon request
Heating jacket 230V AC	-	Upon request
Venting valve NC 230V AC, 50/60Hz	250-533	
Venting valve NC 24V AC, 50/60Hz	250-531	
Venting valve NC 24V, DC	250-530	
Filter for venting valves	215-152	
Venting valve NO 200-230V, 50/60Hz	250-851	
Venting valve NO 24V, DC	250-850	
Delayed venting unit	Upon request	
Recommended pre-vacuum pump:		
Standard operation		
Type EVD-48, 400V AC	424902	
Purge gas operation		
Type EVD-60, 400V AC	425902	
Also Dry pumps can be used		



# TYPE EVT-I300FE

air cooled



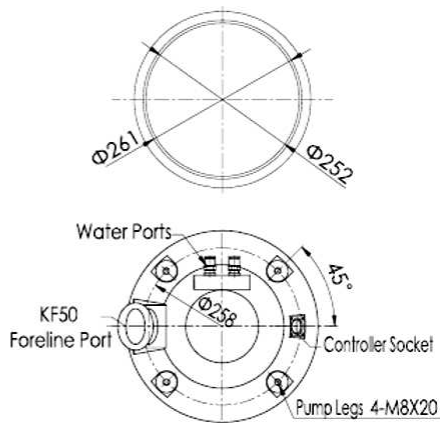
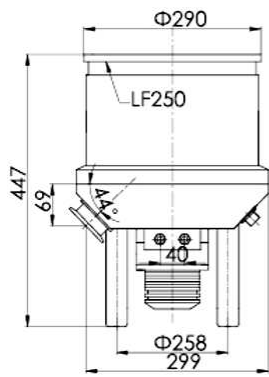
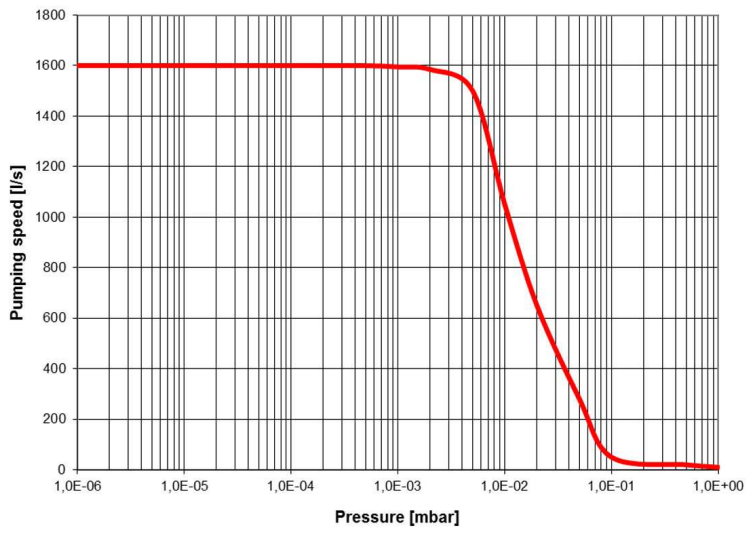
# TYPE EVT-1300FE

air cooled

Technical Data		TYPE EVT-1300FE	
		1300FE-LF	1300FE-CF
Pump type		Compound/Drag	Compound/Drag
Inlet Flange		200 ISO-K	200 CF
Fore vacuum Flange		40 KF	40 KF
Pumping speed (air)	l/s	1.300	1.300
Pressure for max. speed	mbar	$1 \times 10^{-2}$	$1 \times 10^{-2}$
Rotation Speed	rpm	24.000	24.000
H <sub>2</sub> Compression Ratio		$6 \times 10^3$	$6 \times 10^3$
N <sub>2</sub> Compression Ratio		$1 \times 10^9$	$1 \times 10^9$
Ultimate Vacuum	mbar	$6 \times 10^{-8}$	$6 \times 10^{-9}$
Max. bake-out temp.	°C	100	100
Run up Time	min	< 6	< 6
Control Unit		TCDP-II	TCDP-II
Input Voltage	VAC	220 ±10%	220 ±10%
Cooling medium		Air/Water(option)	Air/Water(option)
Bearing type		Ceramic Grease	Ceramic Grease
Operating Orientation		Any	Any
Weight	kg	33	33

Ordering Information	TYPE EVT-1300FE	
	1300FE-LF	1300FE-CF
<b>Turbo drag pump EVT-1300FE</b> incl. splinter screen	813002	813003
<b>Control unit type TCDP-II</b>	800040	800040
Cable 2,5 m	800011	800011
Cable 5 m	800012	800012
Cable 10 m	800013	800013
Cable 20 m	800014	800014
Other lengths	Upon request	Upon request
Heating jacket 230V AC	-	Upon request
Venting valve NC 230V AC, 50/60Hz	250-533	
Venting valve NC 24V AC, 50/60Hz	250-531	
Venting valve NC 24V, DC	250-530	
Filter for venting valves	215-152	
Venting valve NO 200-230V, 50/60Hz	250-851	
Venting valve NO 24V, DC	250-850	
Delayed venting unit	Upon request	
Recommended pre-vacuum pump:		
Standard operation		
Type EVD-48, 400V AC	424902	
Purge gas operation		
Type EVD-60, 400V AC	425902	
Also Dry pumps can be used		

# TYPE EVT-1600E

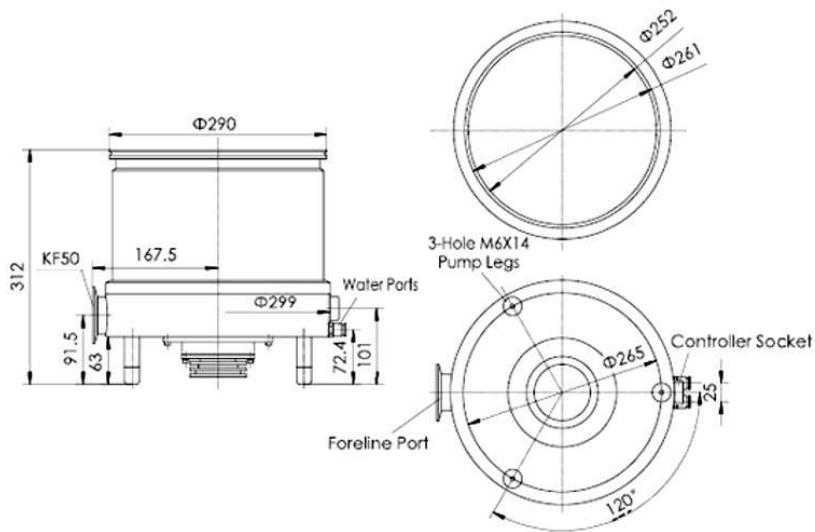
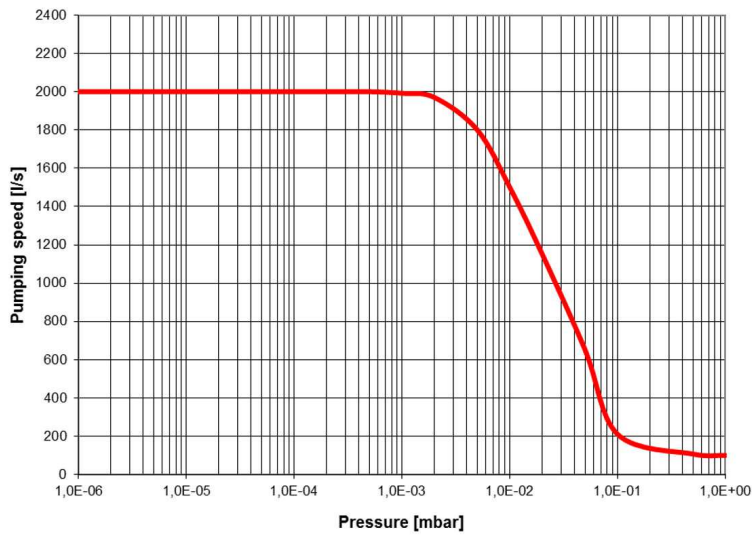


## TYPE EVT-1600E

Technical Data		TYPE EVT-1600E
		1600E-LF
Pump type		Compound/Drag
Inlet Flange		250 ISO-K
Fore vacuum Flange		50 KF
Pumping speed (air)	l/s	1.600
Rotation Speed	rpm	27.000
H <sub>2</sub> Compression Ratio		5x10 <sup>3</sup>
N <sub>2</sub> Compression Ratio		1x10 <sup>8</sup>
Ultimate Vacuum	mbar	1x10 <sup>-8</sup>
Max. bake-out temp.	°C	100
Run up Time	min	< 8
Control Unit		TCDP-II
Input Voltage	VAC	220 ±10%
Cooling medium		Water
Vibration	µm	< 0,1
Bearing type		Ceramic Oil lubricated
Operating Orientation		Vertical (± 5°)
Weight	kg	47

Ordering Information	TYPE EVT-1600E
	1600E-LF
<b>Turbo drag pump EVT-1600E</b> incl. splinter screen	816000
<b>Control unit type TCDP-II</b>	800040
Cable 2,5 m	800011
Cable 5 m	800012
Cable 10 m	800013
Cable 20 m	800014
Other lengths	Upon request
Venting valve NC 230V AC, 50/60Hz	250-533
Venting valve NC 24V AC, 50/60Hz	250-531
Venting valve NC 24V, DC	250-530
Filter for venting valves	215-152
Venting valve NO 200-230V, 50/60Hz	250-851
Venting valve NO 24V, DC	250-850
Delayed venting unit	Upon request
Recommended pre-vacuum pump: Standard operation Type EVD-60, 400V AC	425902
Purge gas operation Type EVD-90, 400V AC	426902
Also Dry pumps can be used	

# TYPE EVT-2000E

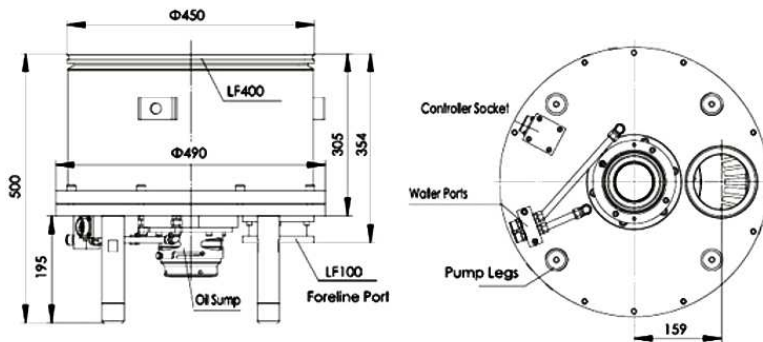
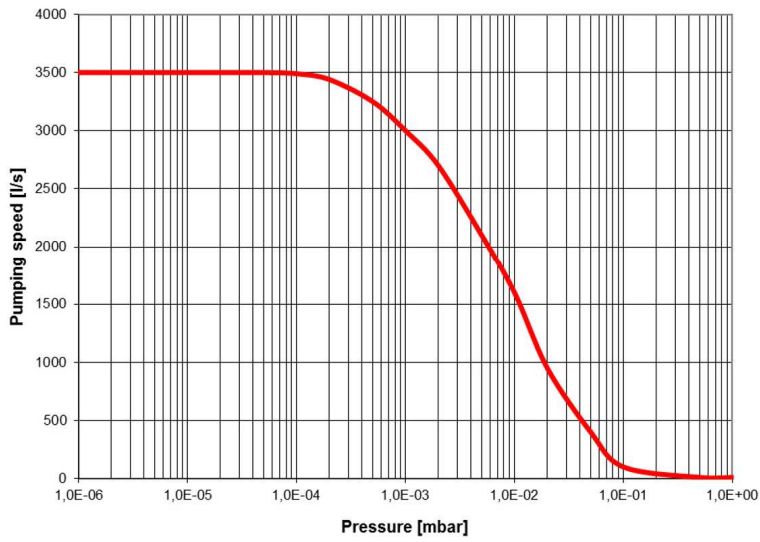


## TYPE EVT-2000E

Technical Data		TYPE EVT-2000E
		2000E-LF
Pump type		Compound/Drag
Inlet Flange		250 ISO-K
Fore vacuum Flange		50 KF
Pumping speed (air)	l/s	2.000
Rotation Speed	rpm	24.000
H <sub>2</sub> Compression Ratio		6x10 <sup>3</sup>
N <sub>2</sub> Compression Ratio		1x10 <sup>9</sup>
Ultimate Vacuum	mbar	6x10 <sup>-8</sup>
Max. bake-out temp.	°C	100
Run up Time	min	< 6
Control Unit		TCDP-II
Input Voltage	VAC	220 ±10%
Cooling medium		Air / water
Vibrations	µm	≤ 0,1
Bearing type		Ceramic Grease
Operating Orientation		Any
Weight	kg	32

Ordering Information	TYPE EVT-2000E
	2000E-LF
<b>Turbo drag pump EVT-2000E</b> incl. splinter screen	820000
<b>Control unit type TCDP-II</b>	800040
Cable 2,5 m	800011
Cable 5 m	800012
Cable 10 m	800013
Cable 20 m	800014
Other lengths	Upon request
Recommended pre-vacuum pump: Standard operation Type EVD-60, 400V AC	425902
Purge gas operation Type EVD-90, 400V AC	426902
Also Dry pumps can be used	

# TYPE EVT-3600E





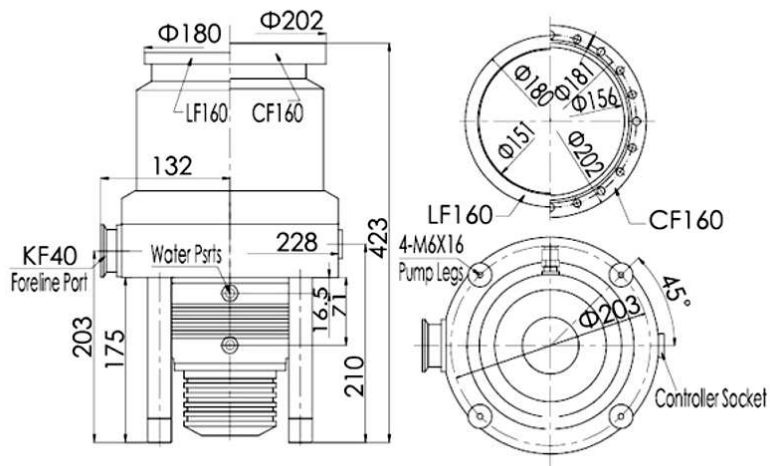
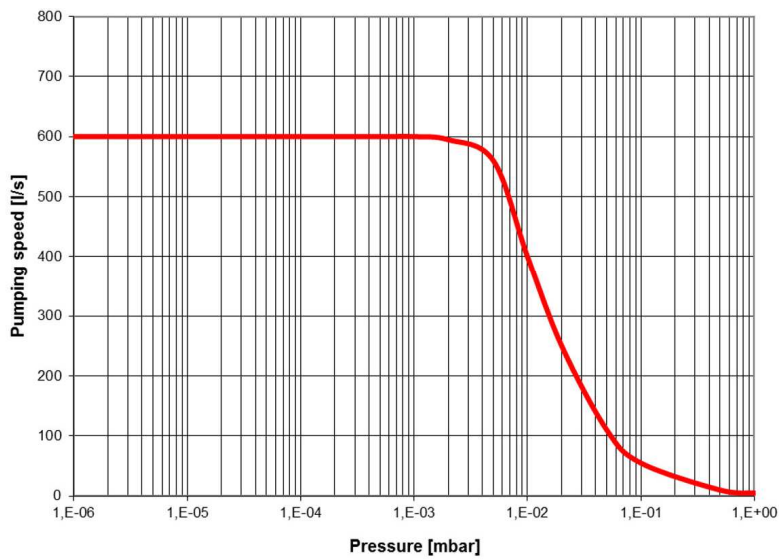
## TYPE EVT-3600E

Technical Data		TYPE EVT-3600E
		3600E-LF
Pump type		Classic Turbo
Inlet Flange		400 ISO-K
Fore vacuum Flange		100 ISO-K
Pumping speed (air)	l/s	3.600
Rotation Speed	rpm	15.300
H <sub>2</sub> Compression Ratio		5x10 <sup>2</sup>
N <sub>2</sub> Compression Ratio		1x10 <sup>7</sup>
Ultimate Vacuum	mbar	6x10 <sup>-8</sup>
Max. bake-out temp.	°C	90
Run up Time	min	< 15,5
Control Unit		FD-III
Input Voltage	VAC	220 ±10%
Cooling medium		Water
Vibrations	µm	≤ 0,5
Bearing type		Ceramic Oil lubricated
Operating Orientation		Vertical (± 5°)
Weight	kg	130

Ordering Information	TYPE EVT-3600E
	3600E-LF
<b>Turbo drag pump EVT-3600E</b> incl. splinter screen	836000
<b>Control unit type FD-III</b>	836010
Cable 2,5 m	836011
Cable 5 m	836012
Cable 10 m	836013
Cable 20 m	836014
Other lengths	Upon request
Venting valve NC 230V AC, 50/60Hz	250-533
Venting valve NC 24V AC, 50/60Hz	250-531
Venting valve NC 24V, DC	250-530
Filter for venting valves	215-152
Venting valve NO 200-230V, 50/60Hz	250-851
Venting valve NO 24V, DC	250-850
Delayed venting unit	Upon request
Recommended pre-vacuum pump: Standard operation Type EVD-90, 400V AC	426902
Purge gas operation Type EVD-120, 400V AC Also Dry pumps can be used	432902

# TYPE EVT-620NE

For chemical applications



## TYPE EVT-620NE

For chemical applications

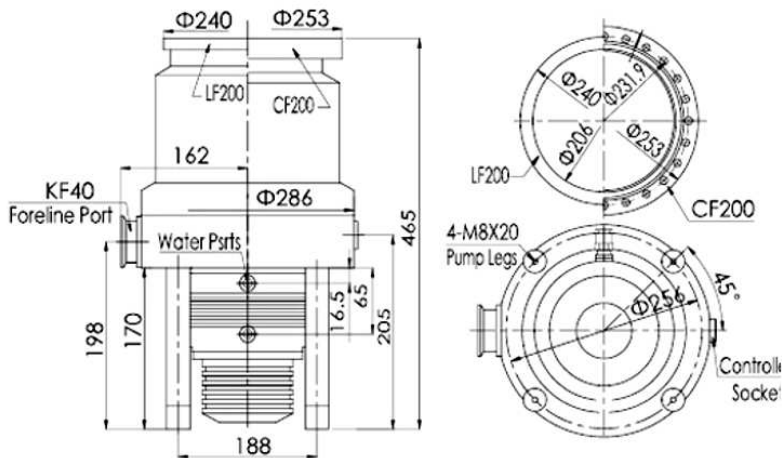
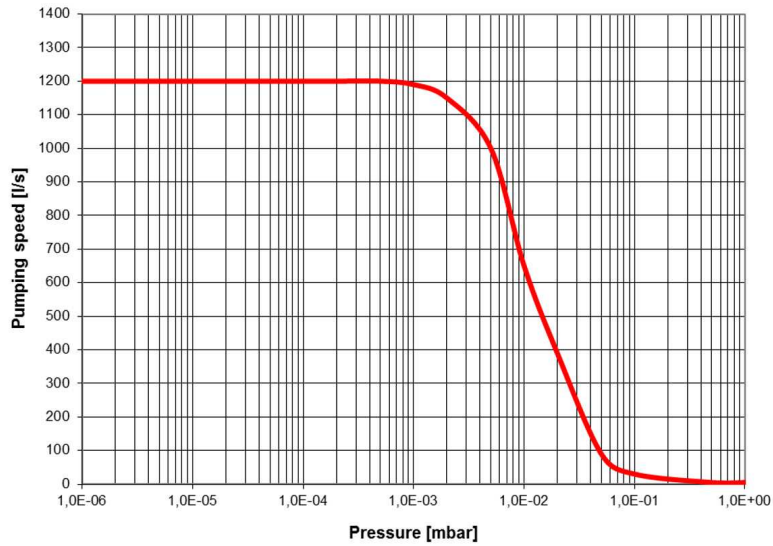
Technical Data		TYPE EVT-620NE	
		620NE-LF	620NE-CF
Pump type		Compound/Drag	Compound/Drag
Inlet Flange		160 ISO-K	160 CF
Fore vacuum Flange		40 KF	40 KF
Pumping speed (air)	l/s	600	600
Rotation Speed	rpm	27.000	27.000
H <sub>2</sub> Compression Ratio		6x10 <sup>3</sup>	6x10 <sup>3</sup>
N <sub>2</sub> Compression Ratio		1x10 <sup>9</sup>	1x10 <sup>9</sup>
Ultimate Vacuum	mbar	6x10 <sup>-8</sup>	6x10 <sup>-9</sup>
Max. bake-out temp.	°C	100	100
Run up Time	min	< 5	< 5
Control Unit		TCDP-II	TCDP-II
Input Voltage	VAC	220 ±10%	220 ±10%
Purge port		16 KF	16 KF
Cooling medium		Water	Water
Vibrations	µm	≤ 0,1	≤ 0,1
Bearing type		Ceramic Oil	Ceramic Oil
Operating Orientation		Vertical (± 5°)	Vertical (± 5°)
Weight	kg	29	29

Ordering Information	TYPE EVT-620NE	
	620NE-LF	620NE-CF
<b>Turbo drag pump EVT-620NE</b> incl. splinter screen	806200	806201
<b>Control unit type TCDP-II</b>	800040	800040
Cable 2,5 m	800011	800011
Cable 5 m	800012	800012
Cable 10 m	800013	800013
Cable 20 m	800014	800014
Other lengths	Upon request	Upon request
Venting valve NC 230V AC, 50/60Hz	250-533	
Venting valve NC 24V AC, 50/60Hz	250-531	
Venting valve NC 24V, DC	250-530	
Filter for venting valves	215-152	
Venting valve NO 200-230V, 50/60Hz	250-851	
Venting valve NO 24V, DC	250-850	
Delayed venting unit	Upon request	
Pre-vacuum pump	Upon request	



# TYPE EVT-1200NE

For chemical applications



## TYPE EVT-1200NE

For chemical applications

Technical Data		TYPE EVT-1200NE	
		1200NE-LF	1200NE-CF
Pump type		Compound/Drag	Compound/Drag
Inlet Flange		200 ISO-K	200 CF
Fore vacuum Flange		40 KF	40 KF
Pumping speed (air)	l/s	1200	1200
Rotation Speed	rpm	24.000	24.000
H <sub>2</sub> Compression Ratio		6x10 <sup>3</sup>	6x10 <sup>3</sup>
N <sub>2</sub> Compression Ratio		1x10 <sup>9</sup>	1x10 <sup>9</sup>
Ultimate Vacuum	mbar	6x10 <sup>-8</sup>	6x10 <sup>-9</sup>
Max. bake-out temp.	°C	100	100
Run up Time	min	< 6	< 6
Control Unit		TCDP-II	TCDP-II
Input Voltage	VAC	220 ±10%	220 ±10%
Purge port		16 KF	16 KF
Cooling water	l/min	> 2	> 2
Vibrations	µm	≤ 0,1	≤ 0,1
Bearing type		Ceramic Oil	Ceramic Oil
Operating Orientation		Vertical (± 5°)	Vertical (± 5°)
Weight	kg	39	39

Ordering Information	TYPE EVT-1200NE	
	1200NE-LF	1200NE-CF
<b>Turbo drag pump EVT-1200NE</b> incl. splinter screen	812200	812201
<b>Control unit type TCDP-II</b>	800040	800040
Cable 2,5 m	800011	800011
Cable 5 m	800012	800012
Cable 10 m	800013	800013
Cable 20 m	800014	800014
Other lengths	Upon request	Upon request
Venting valve NC 230V AC, 50/60Hz	250-533	
Venting valve NC 24V AC, 50/60Hz	250-531	
Venting valve NC 24V, DC	250-530	
Filter for venting valves	215-152	
Venting valve NO 200-230V, 50/60Hz	250-851	
Venting valve NO 24V, DC	250-850	
Delayed venting unit	Upon request	
Pre-vacuum pump	Upon request	

## TURBO CONTROLLERS

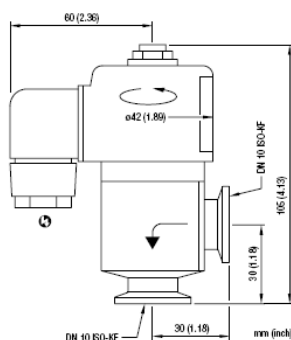


Technical Data		TCP-100	FD-III	TCDP-II
For pump		EVT-80 to 300	EVT-3600E	EVT-620 to 2000
Driver design		Table top/Frame	Table top/Frame	Table top/Frame
Drive Type		AC	AC	AC
Input Voltage	VAC	220 ±10%	220 ±10%	220 ±10%
Input Frequency	Hz	50 ±5%	50 ±5%	50 ±5%
Output Power	VDC	24 ±5%	1100	750
Output Frequency	Hz	Depends on pump	225 ±10	400 to 600 ±10
External control		I/O port, RS232	I/O port, RS485	I/O port, RS485, MODBUS
Weight	kg	1,6	27,5	2,8
LxWxH	mm	150x105x109	450x220x177	480x315x88
Article number		800041	836010	800040

Technical Data		TD-Driver		
For pump		EVT-620 to 2000		
Driver design		On-board		
Drive Type		AC		
Input Voltage	VAC	220/110 ±10%		
Input Frequency	Hz	50/60 ±5%		
Max. Output Power	W	750		
Output Frequency	Hz	400 to 600 ±10		
External control		I/O port, RS485, MODBUS		
Weight	kg	2,8		
LxWxH	mm	160x188x80		
Article number		800030		

# VENTING VALVE

Normally closed

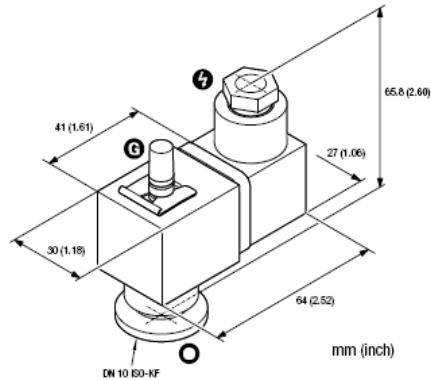


Technical Data		VVM010-A
Vacuum connections		DN10KF
Service life	Cycles	1.500.000
Tightness	mbar·l/s	$1 \times 10^{-9}$
Conductance molecular flow	l/s	1
Conductance at 1 mbar	l/s	3,5
Pressure absolute	mbar	$1 \times 10^{-8}$
Ambient temperature	°C	5 – 40
Pickup / Holding power	VA	35 / 15
Pressure resistance	bar	10
Closing / Opening time	ms	60 / 45
Switching frequency	1/min	50
Housing		Aluminum
Seals		FPM
Weight	kg	0,46

Ordering Information	VVM010-A
230 V AC, 50/60 Hz	250-533
115 V AC, 50/60 Hz	250-532
24 V AC, 50/60 Hz	250-531
24 V DC	250-530
Filter with port, centering- and clamp ring	215-152
<b>Spare parts</b>	
Sealing Set	215-208
Filter	B 4161 210 4F

# POWER FAILURE VENTING VALVE

Normally open



Technical Data		WIM010-A	
		AC type	DC type
Vacuum connections		DN10KF	DN10KF
Venting time for 50 ltr vessel	sec	270	270
Tightness	mbar·l/s	$1 \times 10^{-7}$	$1 \times 10^{-7}$
Ambient temperature	°C	0 – 50	0 – 50
Switching frequency	1/min	60	60
Service life	Cycles	3.000.000	3.000.000
Opening time	ms	30	30
Closing time	ms	30	30
Nominal power Pickup	W / VA	- / 5	2,5 / -
Nominal power Holding	W / VA	- / 3,7	2,5 / -
Protection class		IP 65	IP 65
Housing		Aluminum	Aluminum
Seals		FPM	FPM
Weight	kg	0,1	0,1

Ordering Information	WIM010-A
200 - 250 V AC, 50/60 Hz	250-851
115 V AC, 50/60 Hz	250-852
24 V DC	250-850



